

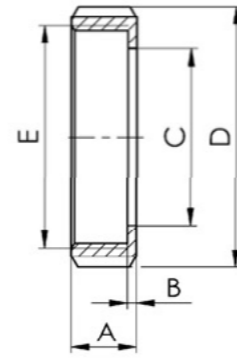


# ZUIVELKOPPELINGEN DAIRY FITTING

# RVS ZUIVELKOPPELING STAINLESS STEEL DAIRY FITTING

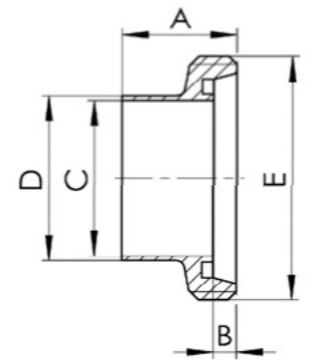
## WARTELMOER DIN 11851 | NUT DIN 11851

NW	A	B	C	D	E
10	18	3	19	38	Rd 28x1/8"
15	18	3	25	44	Rd 34x1/8"
20	20	3	31	54	Rd 44x1/6"
25	21	3	36	63	Rd 52x1/6"
32	21	3	42,5	70	Rd 58x1/6"
40	21	3	49	78	Rd 65x1/6"
50	22	3	62	92	Rd 78x1/6"
65	25	4	80	112	Rd 95x1/6"
75	26	5	88	120	Rd 104x1/6"
80	29	4	94	127	Rd 110x1/4"
100	31	5	115	148	Rd 130x1/4"
125	35	5	138	178	Rd 160x1/4"
150	40	6	164	210	Rd 190x1/4"



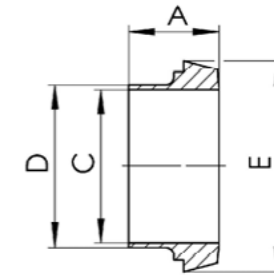
## DRAADSTUK DIN 11851 | MALE DIN 11851

NW	A	B	C	D	E
10	21	4	10	15	Rd 28x1/8"
15	21	4	16	21	Rd 34x1/8"
20	24	6	20	25	Rd 44x1/6"
25	29	7	26	31	Rd 52x1/6"
32	32	7	32	37	Rd 58x1/6"
40	33	7	38	43	Rd 65x1/6"
50	35	7	50	55	Rd 78x1/6"
65	40	8	66	72	Rd 95x1/6"
80	45	8	81	87	Rd 110x1/4"
100	54	10	100	106	Rd 130x1/4"
125	46	12	125	132	Rd 160x1/4"
150	50	13	150	157	Rd 190x1/4"



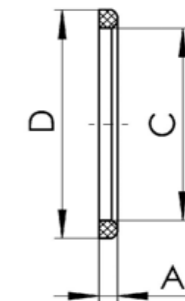
## PUNTSTUK DIN 11851 | LINER DIN 11851

NW	A	B	C	D	E
10	17		10	15	22
15	17		16	21	28
20	18		20	25	36
25	22		26	31	44
32	25		32	37	50
40	26		38	43	56
50	28		50	55	68,5
65	32		66	72	86
80	37		81	87	100
100	44		100	106	121
125	34		125	132	150
150	37		150	157	176



## DICHTING | SEAL DIN 11851

NW	A	B	C	D	E
10	4		12	20	
15	4		18	26	
20	4		23	33	
25	5		30	40	
32	5		36	46	
40	5		42	52	
50	5		54	64	
65	5		71	81	
80	5		85	95	
100	6,5		104	114	
125	7		130	142	
150	7		155	167	



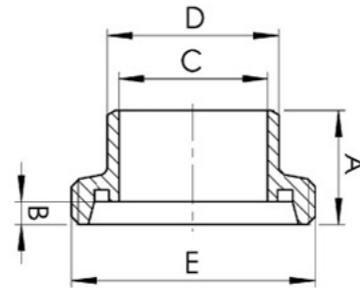
Beschikbaar in / Available in: nbr, epdm, silicone, viton, ptfe

# RVS ZUIVELKOPPELING

## STAINLESS STEEL DAIRY FITTING

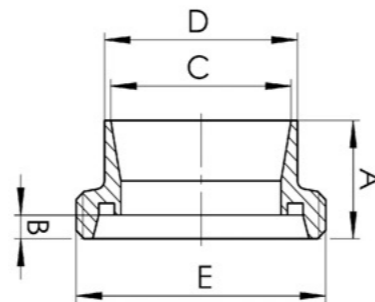
### DRAADSTUK DIN 11851 INCH | MALE DIN 11851 INCH

NW	A	B	C	D	E
1"	29	7	22,9	27,9	Rd 52x1/6"
1,25"	33	7	29,2	33	Rd 58x1/6"
1,5"	33	7	35,1	40	Rd 65x1/6"
2"	35	7	47,8	53	Rd 78x1/6"
2,5"	40	8	60,5	65,5	Rd 95x1/6"
3"	40	8	73,2	78	Rd 104x1/6"
4"	54	10	97,6	104	Rd 130x1/4"



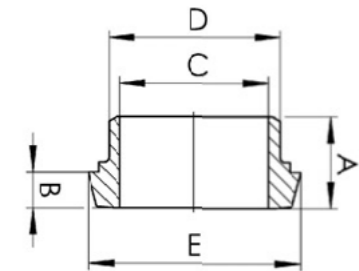
### DRAADSTUK DIN 11851 ISO | MALE DIN 11851 ISO

NW	A	B	C	D	E
10	21	4	14,4	17,6	Rd 28x1/8"
15	21	4	18,1	21,3	Rd 34x1/8"
20	24	6	23,7	26,9	Rd 44x1/6"
25	29	7	29,7	33,7	Rd 52x1/6"
32	32	7	38,4	42,4	Rd 58x1/6"
40	33	7	44,3	48,3	Rd 65x1/6"
50	35	7	56,3	60,3	Rd 78x1/6"
65	40	8	72,1	76,1	Rd 95x1/6"
80	45	8	84,9	88,9	Rd 110x1/4"
100	54	10	109,1	114,3	Rd 130x1/4"
125	46	12	134,5	139,7	Rd 160x1/4"
150	50	13	163,1	168,3	Rd 190x1/4"



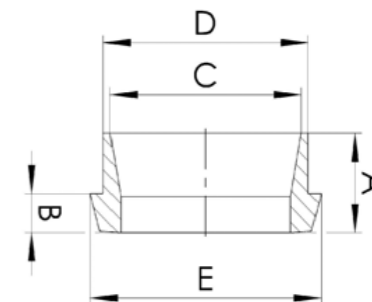
### PUNTSTUK DIN 11851 INCH | LINER DIN 11851 INCH

NW	A	B	C	D	E
1"	29	7	22,9	27,9	44
1,25"	33	7	29,2	33	50
1,5"	33	7	35,1	40	56
2"	35	7	47,8	53	68,5
2,5"	40	8	60,5	65,5	86
3"	40	8	73,2	78	93
4"	54	10	97,6	104	121



### PUNTSTUK DIN 11851 ISO | LINER DIN 11851 ISO

NW	A	B	C	D	E
10	17		14,4	17,6	22
15	17		18,1	21,3	28
20	18		23,7	26,9	36
25	22		29,7	33,7	44
32	25		38	42	50
40	26		44,3	48,3	56
50	28		56,3	60,3	68,5
65	32		72,1	76,1	86
80	37		84,9	88,9	100
100	44		109,1	114,3	121
125	34		134,5	139,7	150
150	37		163,1	168,3	176

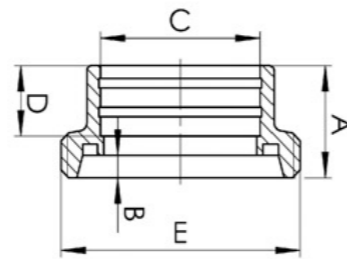


# RVS ZUIVELKOPPELING

## STAINLESS STEEL DAIRY FITTING

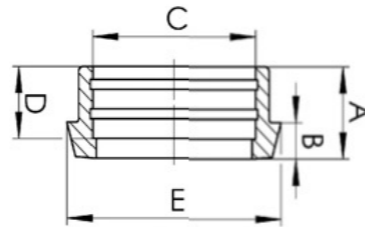
### WALSDRAADSTUK DIN 11851 | EXPANDING MALE DIN 11851

NW	A	B	C	D	E
10	21	4	19,2	12	Rd 34x1/8"
20	24	6	23,2	12	Rd 44x1/6"
25	29	7	29,2	15	Rd 52x1/6"
32	32	7	35,2	18	Rd 58x1/6"
40	33	7	41,2	20	Rd 65x1/6"
50	35	7	53,2	22	Rd 78x1/6"
65	40	8	71,2	25	Rd 95x1/6"
80	45	8	86,3	28	Rd 110x1/4"
100	54	10	105,3	35	Rd 130x1/4"



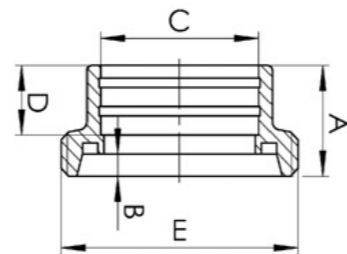
### WALSPUNTSTUK DIN 11851 | EXPANDING LINER DIN 11851

NW	A	B	C	D	E
15	17	19,2	12	12	28,5
20	18	23,2	12	12	36,5
25	22	29,2	15	15	44
32	25	35,2	18	18	50
40	26	41,2	20	20	56
50	28	53,2	22	22	68,5
65	32	71,2	25	25	86
80	37	86,3	28	28	100
100	44	105,3	35	35	121



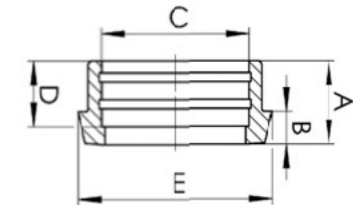
### WALSDRAADSTUK DIN 11851 INCH | EXPANDING MALE DIN 11851 INCH

NW	A	B	C	D	E
1,25"	32	7	33	18	Rd 58x1/6"
1,5"	33	7	39,3	20	Rd 65x1/6"
2"	35	7	52	22	Rd 78x1/6"
2,5"	40	8	64,8	25	Rd 95x1/6"
3"	40	8	77,4	25	Rd 104x1/6"
4"	54	10	102,9	35	Rd 130x1/4"



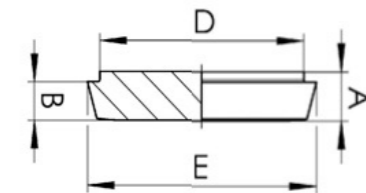
### WALSPUNTSTUK DIN 11851 INCH | EXPANDING LINER DIN 11851 INCH

NW	A	B	C	D	E
1,25"	25	10	33	18	50
1,5"	26	10	39,3	20	56
2"	28	11	52	22	68,5
2,5"	32	12	64,8	25	86
3"	32	12	77,4	25	93
4"	44	13	102,9	35	121



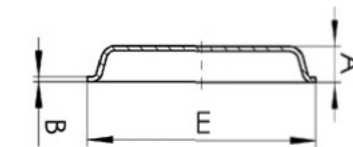
### BLINDDRAADSTUK DIN 11851 | MALE BLANK DIN 11851

NW	A	B	C	D	E
10	22	4	SW 12	19	Rd 28x1/8"
15	22	4	SW 12	19	Rd 34x1/8"
20	24	6	SW 12	19	Rd 44x1/6"
25	24	7	SW 27	34	Rd 52x1/6"
32	24	7	SW 27	34	Rd 58x1/6"
40	24	7	SW 27	34	Rd 65x1/6"
50	24	7	SW 27	34	Rd 78x1/6"
65	28	8	SW 27	34	Rd 95x1/6"
80	30	8	SW 27	34	Rd 110x1/4"
100	30	10	SW 27	34	Rd 130x1/4"



### BLINDPUNTSTUK DIN 11851 GEPERST | PLUG LINER BLANK DIN 11851

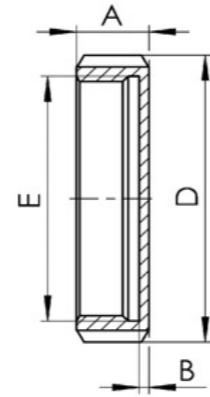
NW	A	B	C	D	E
25	10	1,5			47
32	10	1,5			53
40	10	1,5			60
50	11	1,5			73
65	12	1,5			90
80	12	1,5			103
100	15	2			123



# RVS ZUIVELKOPPELING STAINLESS STEEL DAIRY FITTING

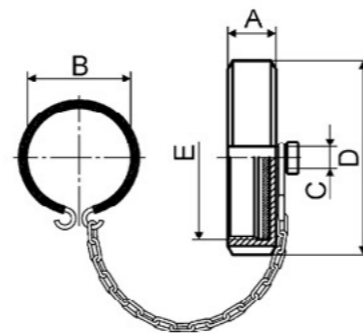
## BLINDWARTEL DIN 11851 | BLINDNUT DIN 11851

NW	A	B	C	D	E
10	18	3		38	Rd 28x1/8"
15	18	3		44	Rd 34x1/8"
20	20	3		54	Rd 44x1/6"
25	21	3		63	Rd 52x1/6"
32	21	3		70	Rd 58x1/6"
40	21	3		78	Rd 65x1/6"
50	22	3		92	Rd 78x1/6"
65	25	4		112	Rd 95x1/6"
80	29	4		127	Rd 110x1/4"
100	31	5		148	Rd 130x1/4"
125	35	5		178	Rd 160x1/4"
150	40	6		210	Rd 190x1/4"



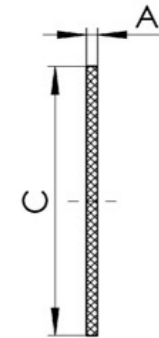
## BLINDWARTEL DIN 11851 COMPLEET | BLINDNUT DIN 11851 COMPLETE

NW	A	B	C	D	E
10	18		10	38	Rd 28x1/8"
15	18		10	44	Rd 34x1/8"
20	20		10	54	Rd 44x1/6"
25	21		10	63	Rd 52x1/6"
32	21		10	70	Rd 58x1/6"
40	21		10	78	Rd 65x1/6"
50	22		10	92	Rd 78x1/6"
65	25		10	112	Rd 95x1/6"
80	29		10	127	Rd 110x1/4"
100	31		10	148	Rd 130x1/4"
125	35		10	178	Rd 160x1/4"
150	40		10	210	Rd 190x1/4"



## BLINDWARTELDICHTING DIN 11851 | SEAL DISC DIN 11851

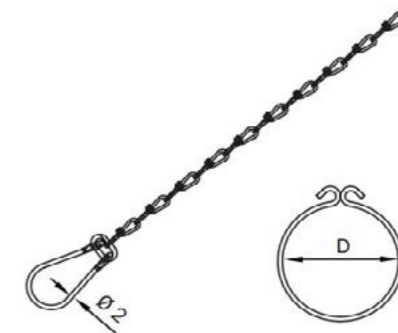
NW	A	A	C	D	E
PTFE					
10	3	1,5	28		
15	3	1,5	34		
20	3	1,5	44		
25	3	1,5	52		
32	3	1,5	58		
40	3	1,5	65		
50	3	1,5	78		
65	3	1,5	95		
80	3	1,5	110		
100	3	1,5	130		
125	3	1,5	160		
150	3	1,5	190		



Beschikbaar in / Available in: nbr, epdm, silicone, viton, ptfe

## BLINDWARTELKETTING | CHAIN

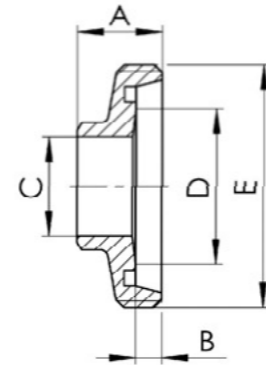
NW	A	B	C	D	E
10					
15					
20					
25					
32					
40					
50					
65					
80					
100					



# RVS ZUIVELKOPPELING STAINLESS STEEL DAIRY FITTING

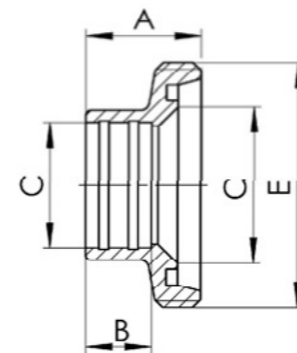
## VERLOOPDRAADSTUK DIN 11851 | REDUCING MALE DIN 11851

NW	A	B	C	D	E
25/15	29	7	16	26	Rd 28x1/8"
32/15	29	7	16	32	Rd 34x1/8"
32/20	29	7	20	32	Rd 34x1/8"
32/25	31	7	26	32	Rd 34x1/8"
40/15	29	7	16	38	Rd 65x1/6"
40/20	29	7	20	38	Rd 65x1/6"
40/25	31	7	26	38	Rd 65x1/6"
40/32	32	7	32	38	Rd 65x1/6"
50/25	26	7	26	50	Rd 78x1/6"
50/32	29	7	32	50	Rd 78x1/6"
50/40	33	7	38	50	Rd 78x1/6"
65/25	34	8	26	66	Rd 95x1/6"



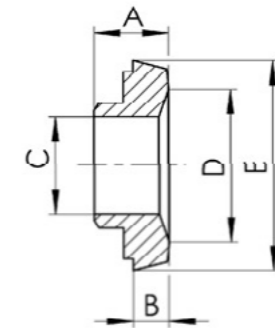
## WALSVERLOOPDRAADSTUKKEN DIN 11851 | EXPANDING REDUCING MALE DIN 11851

NW	A	B	C	D	E
32/15	29	12	18,2	32	Rd 34x1/8"
32/20	29	12	22,2	32	Rd 34x1/8"
32/25	27	12	28,2	32	Rd 34x1/8"
40/15	29	12	18,2	38	Rd 65x1/6"
40/20	29	12	22,2	38	Rd 65x1/6"
40/25	28	15	28,2	38	Rd 65x1/6"
40/32	29	18	34,2	38	Rd 65x1/6"
50/25	26	15	28,2	50	Rd 78x1/6"
50/32	29	18	34,2	50	Rd 78x1/6"
50/40	35	20	40,2	50	Rd 78x1/6"
65/25	34	15	28,2	66	Rd 95x1/6"
65/32	39	18	34,2	66	Rd 95x1/6"
65/40	39	20	40,2	66	Rd 95x1/6"
65/50	40	22	52,2	66	Rd 95x1/6"
80/40	43	20	40,2	81	Rd 110x1/4"
80/50	45	22	52,2	81	Rd 110x1/4"
80/65	46	25	70,3	81	Rd 110x1/4"
100/50	49	22	52,2	101	Rd 130x1/4"
100/65	49	25	70,3	101	Rd 130x1/4"
100/80	49	28	85,3	101	Rd 130x1/4"



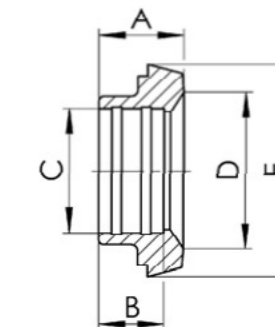
## VERLOOPPUNTSTUK DIN 11851 | REDUCING LINER DIN 11851

NW	A	B	C	D	E
25/15	24	10	10	26	50
32/15	24	10	10	26	56
32/20	24	10	10	32	56
32/25	28	11	11	26	68
40/15	23	11	11	32	68
40/20	26	12	11	38	68
40/25	32	12	12	32	86
40/32	26	12	12	38	86
50/25	30	12	12	50	86
50/32	36	12	12	38	100
50/40	30	12	12	50	100
65/25	35	12	12	66	100



## WALSVERLOOPPUNTSTUKKEN DIN 11851 | EXPANDING REDUCING LINER DIN 11851

NW	A	B	C	D	E
40/25	20	15	28,2	56	56
40/32	23	18	34,2	56	56
50/25	28	15	28,2	68	68
50/32	23	18	34,2	68	68
50/40	26	20	40,2	68	68
65/32	32	18	34,2	86	86
65/40	26	20	40,2	86	86
65/50	27	22	52,2	86	86
80/40	36	20	40,2	100	100
80/50	30	22	52,2	100	100
80/65	31	25	70,3	100	100
100/50	40	22	52,2	121	121
100/65	40	25	70,3	121	121
100/80	42	28	85,3	121	121

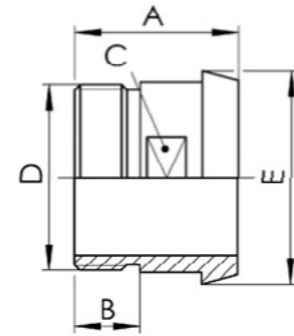


# RVS ZUIVELKOPPELING

## STAINLESS STEEL DAIRY FITTING

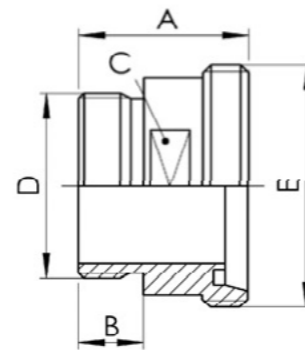
### INSCHROEFPUNTSTUK DIN 11851 | MALE THREAD LINER ADAPTER

NW	A	B	C	D	E
10	38	14	SW 14	R 3/8"	22
15	38	14	SW 19	R 1/2"	28
20	40	14	SW 27	R 3/4"	36
25	50	20	SW 30	R 1"	44
32	50	20	SW 36	R 1 1/4"	50
40	50	20	SW 40	R 1 1/2"	56
50	50	20	SW 55	R 2"	68
65	55	22	SW 70	R 2 1/2"	86
80	60	25	SW 88	R 3"	100
100	70	30	SW 110	R 4"	121



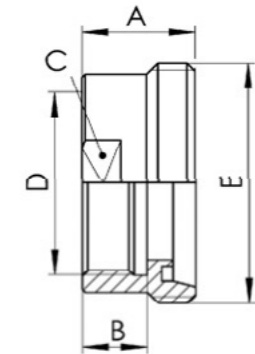
### INSCHROEFDRAADSTUK DIN 11851 | MALE PART ADAPTER

NW	A	B	C	D	E
10	40	14	SW 19	R 3/8"	Rd 28x1/8"
15	40	14	SW 24	R 1/2"	Rd 34x1/8"
20	42	14	SW 30	R 3/4"	Rd 44x1/6"
25	48	20	SW 36	R 1"	Rd 52x1/6"
32	48	20	SW 46	R 1 1/4"	Rd 58x1/6"
40	50	20	SW 50	R 1 1/2"	Rd 65x1/6"
50	52	20	SW 60	R 2"	Rd 78x1/6"
65	56	22	SW 75	R 2 1/2"	Rd 95x1/6"
80	66	25	SW 90	R 3"	Rd 110x1/4"
100	72	30	SW 105	R 4"	Rd 130x1/4"



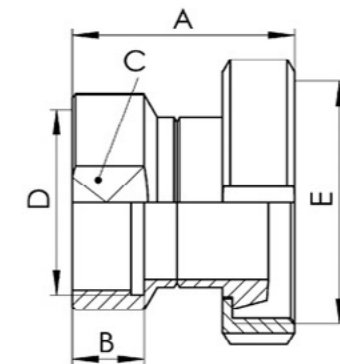
### OPSCHROEFDRAADSTUK DIN 11851 | FEMALE PART ADAPTER

NW	A	B	C	D	E
10	30	14	SW 19	R 3/8"	Rd 28x1/8"
15	30	14	SW 24	R 1/2"	Rd 34x1/8"
20	30	14	SW 30	R 3/4"	Rd 44x1/6"
25	35	20	SW 41	R 1"	Rd 52x1/6"
32	35	20	SW 46	R 1 1/4"	Rd 58x1/6"
40	35	20	SW 55	R 1 1/2"	Rd 65x1/6"
50	35	20	SW 65	R 2"	Rd 78x1/6"
65	38	22	SW 80	R 2 1/2"	Rd 95x1/6"
80	43	25	SW 95	R 3"	Rd 110x1/4"
100	50	30	SW 117	R 4"	Rd 130x1/4"



### OPSCHROEFPUNTSTUK DIN 11851 | FEMALE THREAD LINER

NW	A	B	C	D	E
10	37	12	SW 19	R 3/8"	Rd 28x1/8"
15	42	15	SW 24	R 1/2"	Rd 34x1/8"
20	43	15	SW 30	R 3/4"	Rd 44x1/6"
25	52	20	SW 36	R 1"	Rd 52x1/6"
32	55	20	SW 46	R 1 1/4"	Rd 58x1/6"
40	56	20	SW 55	R 1 1/2"	Rd 65x1/6"
50	60	22	SW 65	R 2"	Rd 78x1/6"
65	64	22	SW 80	R 2 1/2"	Rd 95x1/6"
80	74	25	SW 95	R 3"	Rd 110x1/4"
100	98	30	SW 115	R 4"	Rd 130x1/4"

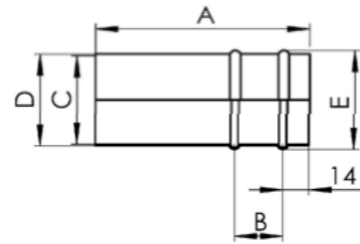


# RVS ZUIVELKOPPELING

## STAINLESS STEEL DAIRY FITTING

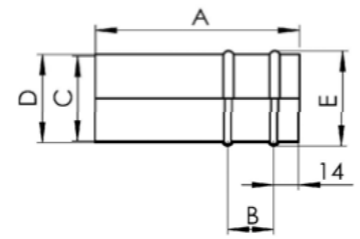
### SLANGTULE BUIS DIN 11851 | HOSE NOZZLE TUBE DIN 11851

NW	A	B	C	D	E
20	50	20	19	22	25
25	60	20	25	28	31
32	70	25	31	34	37
40	80	25	37	40	43
50	90	25	49	52	56
65	100	25	66	70	74
80	110	30	81	85	89
100	120	40	100	104	109



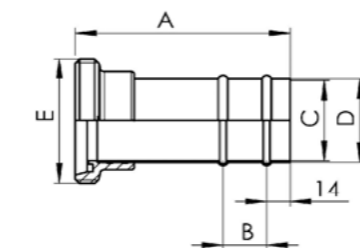
### SLANGTULE BUIS DIN 11851 INCH | HOSE NOZZLE TUBE DIN 11851 INCH

NW	A	B	C	D	E
1,25"	70	25	28,8	31,8	34,8
1,5"	80	25	35,1	38,1	41,1
2"	90	25	47,8	50,8	54,8
2,5"	100	25	60,5	63,5	67,5
3"	110	30	74,1	76,1	80,1
4"	120	39	97,6	101,6	106,6



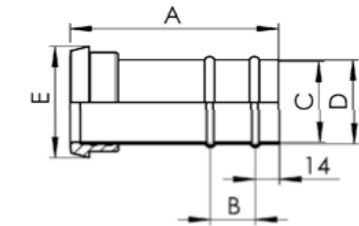
### SLANGTULE BUIS DIN 11851 DRAADSTUK | MALE PART HOSE FITTING DIN 11851

NW	A	A	C	D	E
32	99	22	32	34	Rd 58x1/6"
40	113	22	38	40	Rd 65x1/6"
50	128	40	50	52	Rd 78x1/6"
65	155	40	66	70	Rd 95x1/6"
80	207	50	81	85	Rd 110x1/4"
100	229	50	100	104	Rd 130x1/4"



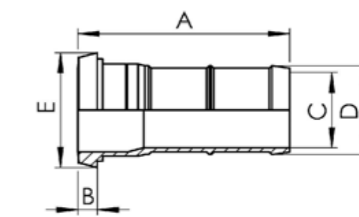
### SLANGTULE BUIS DIN 11851 PUNTSTUK | LINER HOSE FITTING DIN 11851

NW	A	B	C	D	E
32	92	22	32	35	50
40	106	22	38	40	56
50	121	40	50	52	68
65	147	50	66	70	86
80	199	50	81	85	100
100	219	50	100	104	120



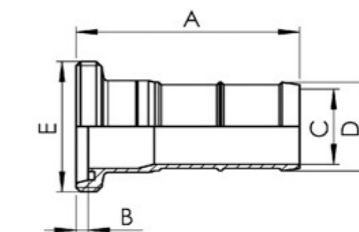
### SLANGTULE BIER DIN 11851 DRAADSTUK | MALE HOSE FITTING DIN 11851

NW	A	B	C	D	E
25	87	7	24	30	Rd 52x1/6"
32	97	7	28	34	Rd 58x1/6"
40	112	7	32	43	Rd 65x1/6"
50	127	7	45	53	Rd 78x1/6"
65	148	8	60	68	Rd 95x1/6"
80	168	8	74	83	Rd 110x1/4"
100	190	10	93	103	Rd 130x1/4"



### SLANGTULE BIER DIN 11851 PUNTSTUK | LINER HOSE FITTING DIN 11851

NW	A	B	C	D	E
25	87	7	24	30	44
32	97	7	28	34	50
40	112	7	32	43	56
50	127	7	45	53	68
65	148	8	60	68	86
80	168	8	74	83	100
100	190	10	93	103	120

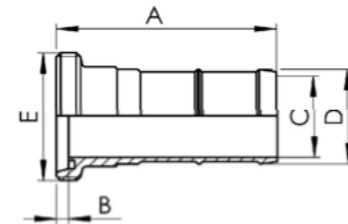


# RVS ZUIVELKOPPELING

## STAINLESS STEEL DAIRY FITTING

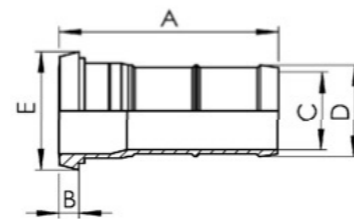
### SLANGTULE DRAADSTUK DIN 11854 | MALE PART HOSE FITTING DIN 11854

NW	A	B	C	D	E
10	54	4	10	15	Rd 28x1/8"
15	64	4	16	21	Rd 34x1/8"
20	76	6	20	27	Rd 44x1/6"
25	87	7	26	32	Rd 52x1/6"
32	97	7	32	40	Rd 58x1/6"
40	112	7	38	48	Rd 65x1/6"
50	127	7	50	58	Rd 78x1/6"
65	148	8	66	76	Rd 95x1/6"
80	168	8	81	90	Rd 110x1/4"
100	190	10	100	110	Rd 130x1/4"



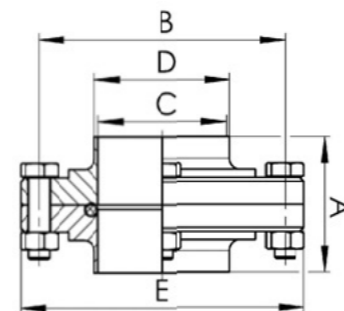
### SLANGTULE PUNTSTUK DIN 11854 | LINER HOSE FITTING DIN 11854

NW	A	B	C	D	E
10	50	6	10	15	22
15	60	6	16	21	28
20	70	8	20	27	36
25	80	10	26	32	44
32	90	10	32	40	50
40	105	10	38	48	56
50	120	11	50	58	68
65	140	12	66	76	86
80	160	12	81	90	100
100	180	15	100	110	120



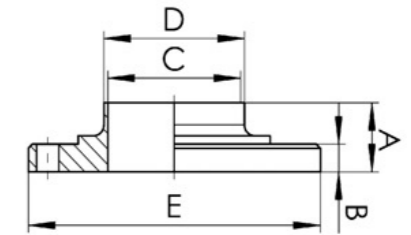
### Flensverbinding 11851 compleet | Flange connection 11851 complete

NW	A	B	C	D	E
32	42	78	32	35	92
40	50	82,5	38	41	97
50	50	95,5	50	53	110
65	50	112,5	66	70	127
80	60	127,5	81	85	142
100	64	147,5	100	104	162
125	80	180	125	129	198
150	90	210	150	154	228



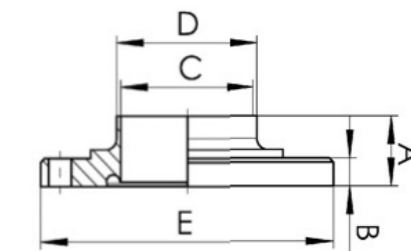
### Flens 11851 zonder groef | Flange 11851 without Nut

NW	A	B	C	D	E
32	21	10	32	35	92
40	25	10	38	41	97
50	25	10	50	53	110
65	25	10	66	70	127
80	30	15	81	85	142
100	32	16	100	104	162
125	40	16	125	129	198
150	45	16	150	154	228



### Flens 11851 met groef | Flange 11851 with Nut

NW	A	B	C	D	E
32	21	10	32	35	92
40	25	10	38	41	97
50	25	10	50	53	110
65	25	10	66	70	127
80	30	15	81	85	142
100	32	16	100	104	162
125	40	16	125	129	198
150	45	16	150	154	228

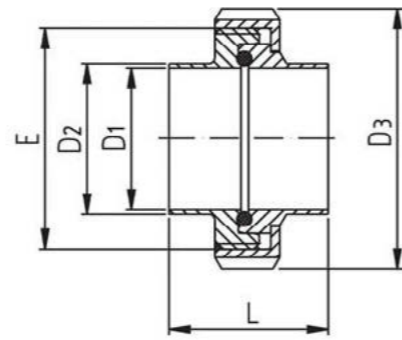


# RVS ZUIVELKOPPELING

## STAINLESS STEEL DAIRY FITTING

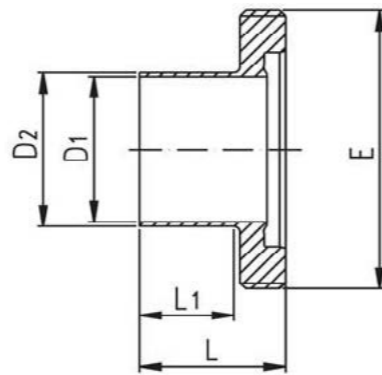
### KOPPELING DIN 11864/1 11866 A | UNION DIN 11864/1 11866 A

NW	D1	D2	D3	L	E
15	16	19	44	76	Rd 34 x 1/8"
20	20	23	54	76	Rd 44 x 1/6"
25	26	29	63	77	Rd 52 x 1/6"
32	32	35	70	88	Rd 58 x 1/6"
40	38	41	78	88	Rd 65 x 1/6"
50	50	53	92	89	Rd 78 x 1/6"
65	66	70	112	113	Rd 95 x 1/6"
80	81	85	127	117	Rd 110 x 1/4"
100	100	104	148	120	Rd 130 x 1/4"



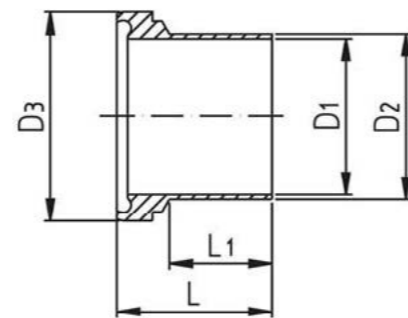
### DRAADSTUK DIN 11864/1 11866 A | MALE DIN 11864/1 11866 A

NW	D1	D2	D3	L	E
15	16	19	41	27	Rd 34 x 1/8"
20	20	23	43	26	Rd 44 x 1/6"
25	26	29	43	26	Rd 52 x 1/6"
32	32	35	48	32	Rd 58 x 1/6"
40	38	41	48	31	Rd 65 x 1/6"
50	50	53	48	30	Rd 78 x 1/6"
65	66	70	60	40	Rd 95 x 1/6"
80	81	85	64	40	Rd 110 x 1/4"
100	100	104	64	40	Rd 130 x 1/4"



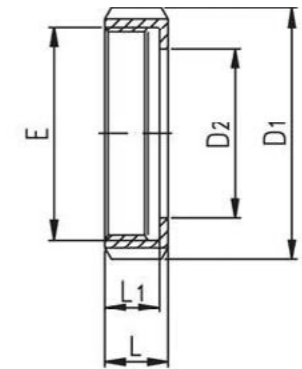
### PUNTSTUK DIN 11864/1 11866 A | LINER DIN 11864/1 11866

NW	D1	D2	D3	L	E
15	16	19	27,9	39	27
20	20	23	35,9	38	26
25	26	29	42,9	40	26
32	32	35	48,9	47	32
40	38	41	54,9	47	31
50	50	53	66,9	48	30
65	66	70	84,9	61	40
80	81	85	98,9	61	40
100	100	104	118,9	66	40



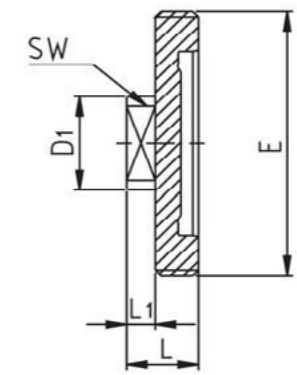
### WARTELMOER DIN 11851 | NUT DIN 11851

NW	D1	D2	D3	L	E
15	44	25	18	15	Rd 34 x 1/8"
20	54	31	20	17	Rd 44 x 1/6"
25	63	36	21	18	Rd 52 x 1/6"
32	70	42	21	18	Rd 58 x 1/6"
40	78	49	21	18	Rd 65 x 1/6"
50	92	62	22	19	Rd 78 x 1/6"
65	112	80	25	21	Rd 95 x 1/6"
80	127	94	29	25	Rd 110 x 1/4"
100	148	115	31	26	Rd 130 x 1/4"



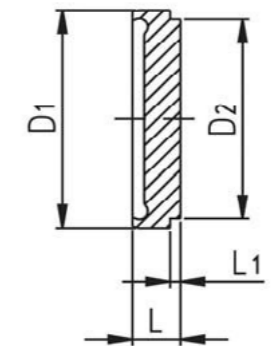
### BLINDDRAADSTUK DIN 11864/1 11866 A | MALE BLANK DIN 11864/1 11866 A

NW	D1	D2	D3	L	E
10	22	19	22	10	Rd 28 x 1/8"
15	25	22	22	10	Rd 34 x 1/8"
20	25	22	24	10	Rd 44 x 1/6"
25	34	27	24	10	Rd 52 x 1/6"
32	34	27	24	10	Rd 58 x 1/6"
40	34	27	24	10	Rd 65 x 1/6"
50	34	27	24	10	Rd 78 x 1/6"
65	34	27	26	10	Rd 95 x 1/6"
80	34	27	30	10	Rd 110 x 1/4"
100	34	27	30	10	Rd 130 x 1/4"



### BLINDPUNTSTUK DIN 11864/1 11866 A | LINER BLANK DIN 11864/1 11866 A

NW	D1	D2	L	L1	E
10	21,9	18	9	3	
15	27,9	24	9	3	
20	35,9	30	10	3	
25	42,9	35	12	3	
32	48,9	41	13	3	
40	54,9	48	13	3	
50	66,9	61	14	3	
65	84,9	79	16	4	
80	98,9	93	16	4	
100	118,9	114	20	5	

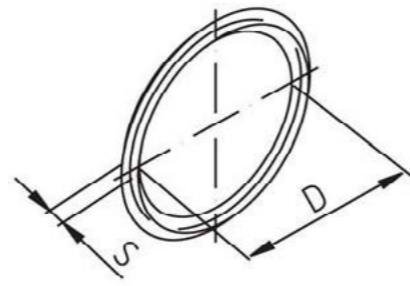


# RVS ZUIVELKOPPELING

## STAINLESS STEEL DAIRY FITTING

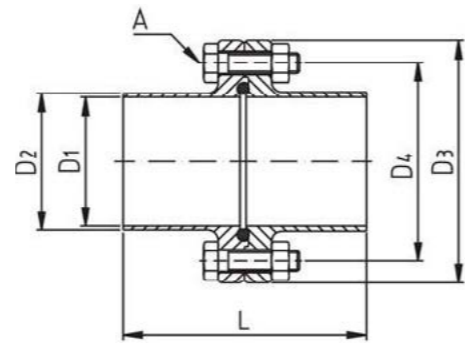
### O-RING DIN 11864/1 11866 A | O-RING DIN 11864/1 11866 A

NW	D	S
10	12	3,5
15	18	3,5
20	22	3,5
25	28	3,5
32	34	5
40	40	5
50	52	5
65	68	5
80	83	5
100	102	5
125	127	5
150	152	5



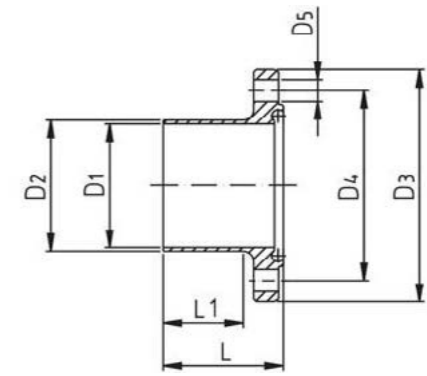
### FLENSVERBINDING DIN 11864/2 11866 A | FLANGE CONNECTION DIN 11864/2 11866

NW	D1	D2	D3	D4	L	A
10	10	13	54	37	80	4/M8 x 30
15	16	19	59	42	80	4/M8 x 30
20	20	23	64	47	80	4/M8 x 30
25	26	29	70	53	80	4/M8 x 30
32	32	35	76	59	90	4/M8 x 30
40	38	41	82	65	90	4/M8 x 30
50	50	53	94	77	90	4/M8 x 30
65	66	70	113	95	108	8/M8 x 30
80	81	85	133	112	116	8/M10 x 35
100	100	104	159	137	116	8/M10 x 40
125	125	129	183	161	120	8/M10 x 40
150	150	154	213	188	120	8/M12 x 50



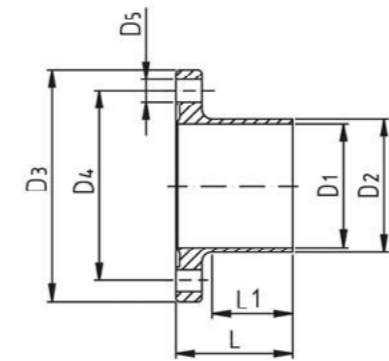
### NUTFLENS DIN 11864/2 11866 | NUT FLANGE DIN 11864/2 11866 A

NW	D1	D2	D3	D4	L	L1
10	10	13	54	37	41,5	26
15	16	19	59	42	41,5	26
20	20	23	64	47	41,5	26
25	26	29	70	53	41,5	26
32	32	35	76	59	46,5	31
40	38	41	82	65	46,5	31
50	50	53	94	77	46,5	31
65	66	70	113	95	55,5	40
80	81	85	133	112	59,5	42
100	100	104	159	137	59,5	40
125	125	129	183	161	61,5	42
150	150	154	213	188	61,5	40



### BUNDFLENS DIN 11864/2 11866 A | LINER FLANGE DIN 11864/2 11866 A

NW	D1	D2	D3	D4	L	L1
10	10	13	54	37	40	26
15	16	19	59	42	40	26
20	20	23	64	47	40	26
25	26	29	70	53	40	26
32	32	35	76	59	45	31
40	38	41	82	65	45	31
50	50	53	94	77	45	31
65	66	70	113	95	54	40
80	81	85	133	112	58	42
100	100	104	159	137	58	40
125	125	129	183	161	60	42
150	150	154	213	188	60	40

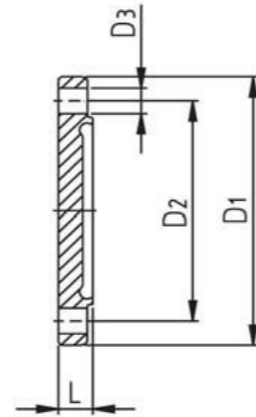


# RVS ZUIVELKOPPELING

## STAINLESS STEEL DAIRY FITTING

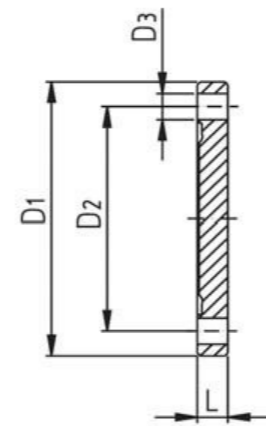
### BLINDNUTFLENS DIN 11864/2 11866 A | BLANK NUT FLANGE DIN 11864/2 11866 A

NW	D1	D2	D3	L
10	54	37	4x ø 9	11,5
15	59	42	4x ø 9	11,5
20	64	47	4x ø 9	11,5
25	70	53	4x ø 9	11,5
32	76	59	4x ø 9	11,5
40	82	65	4x ø 9	11,5
50	94	77	4x ø 9	11,5
65	113	95	8x ø 9	11,5
80	133	112	8x ø 11	13,5
100	159	137	8x ø 11	15,5
125	183	161	8x ø 11	15,5
150	213	188	8x ø 14	17,5



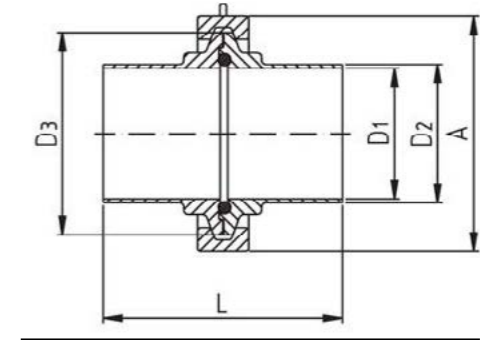
### BLINDBUNDFLENS DIN 11864/2 11866 A | BLANK LINER FLANGE DIN 11864/2 11866 A

NW	D1	D2	D3	L
10	54	37	4x ø 9	10
15	59	42	4x ø 9	10
20	64	47	4x ø 9	10
25	70	53	4x ø 9	10
32	76	59	4x ø 9	10
40	82	65	4x ø 9	10
50	94	77	4x ø 9	10
65	113	95	8x ø 9	10
80	133	112	8x ø 11	12
100	159	137	8x ø 11	14
125	183	161	8x ø 11	14
150	213	188	8x ø 14	16



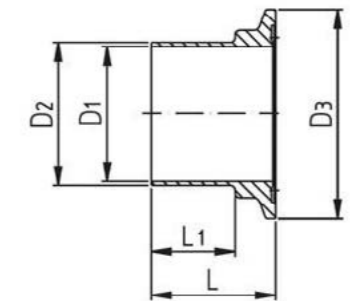
### KLEMVERBINDING DIN 11864/3 11866 A | CLAMP CONNECTION DIN 11864/3 11866 A

NW	D1	D2	D3	A	L
15	16	19	34	45	76
20	20	23	50,5	64	76
25	26	29	50,5	64	77
32	32	35	50,5	64	88
40	38	41	64	77	88
50	50	53	77,5	91	89
65	66	70	91	104	113
80	81	85	106	119	117
100	100	104	130	143	120



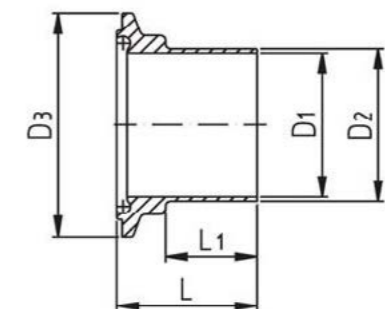
### BUNDFERRULE DIN 11864/3 11866 A | CLAMP LINER DIN 11864/3 11866 A

NW	D1	D2	D3	L	L1
15	16	19	34	38	26
20	20	23	50,5	38	26
25	26	29	50,5	38,5	28
32	32	35	50,5	44	30
40	38	41	64	44	30
50	50	53	77,5	44,5	30
65	66	70	91	56,5	40
80	81	85	106	58,5	40
100	100	104	130	60	40



### NUTFERRULE DIN 11864/3 11866 A | CLAMP NUT DIN 11864/3 11866 A

NW	D1	D2	D3	L	L1
15	16	19	34	39,5	26
20	20	23	50,5	39,5	24
25	26	29	50,5	40	28
32	32	35	50,5	45,5	30
40	38	41	64	45,5	30
50	50	53	77,5	46	30
65	66	70	91	58	40
80	81	85	106	60	40
100	100	104	130	61,5	40

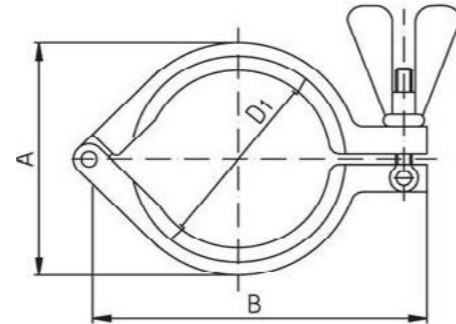


# RVS ZUIVELKOPPELING

## STAINLESS STEEL DAIRY FITTING

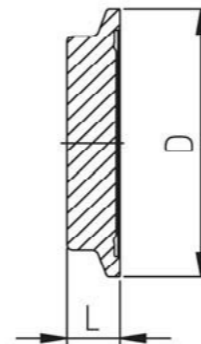
### CLAMPBEUGEL 2 DELIG ZWAAR | HEAVY DUTY CLAMP

NW	D2	D3	L
15	45	63	34
20	64	88	50,5
25	64	88	50,5
32	64	88	50,5
40	77	105	64
50	91	123	77,5
65	104	137	91
80	119	155	106
100	143	168	130



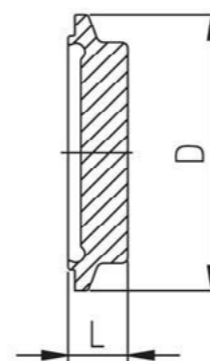
### BLINDBUNDFERULE DIN 11864/3 11866 A | BLIND CAP DIN 11864/3 11866 A

NW	D	L
10	34	8
15	34	8
20	50,5	8
25	50,5	8
32	50,5	8
40	64	8
50	77,5	8
65	91	8
80	106	8
100	130	8



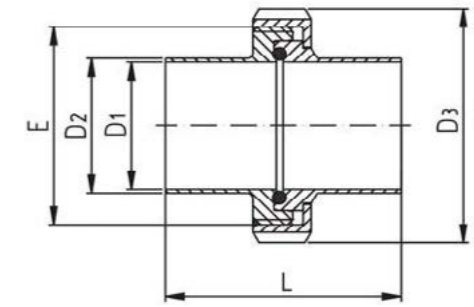
### BLINDNUTFERULE DIN 11864/3 11866 A | BLIND CLAMP DIN 11864/3 11866 A

NW	D	L
10	34	10
15	34	10
20	50,5	10
25	50,5	10
32	50,5	10
40	64	10
50	77,5	10
65	91	10
80	106	10
100	130	10



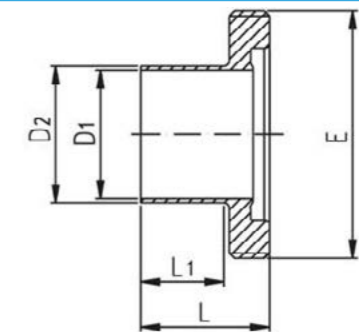
### KOPPELING DIN 11864/1 11866 C | UNION DIN 11864/1 11866 C

NW	D1	D2	D3	L	E
3/4"	15,75	19,05	44	76	Rd 34 x 1/8"
1"	22,1	25,4	63	77	Rd 52 x 1/6"
1,5"	34,8	38,1	78	88	Rd 65 x 1/6"
2"	47,5	50,8	92	89	Rd 78 x 1/6"
2,5"	60,2	63,5	112	115	Rd 95 x 1/6"
3"	72,9	76,2	127	117	Rd 110 x 1/4"
4"	97,38	101,6	148	119	Rd 130 x 1/4"



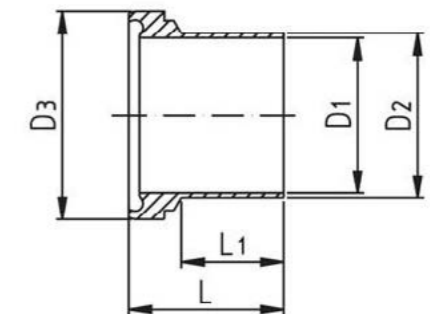
### DRAADSTUK DIN 11864/1 11866 C | MALE DIN 11864/1 11866 C

NW	D1	D2	D3	L	E
3/4"	15,75	19,05	41	27	Rd 34 x 1/8"
1"	22,1	25,4	43	26	Rd 52 x 1/6"
1,5"	34,8	38,1	48,5	30	Rd 65 x 1/6"
2"	47,5	50,8	48,5	30	Rd 78 x 1/6"
2,5"	60,2	63,5	60	40	Rd 95 x 1/6"
3"	72,9	76,2	64	40	Rd 110 x 1/4"
4"	97,38	101,6	64	40	Rd 130 x 1/4"



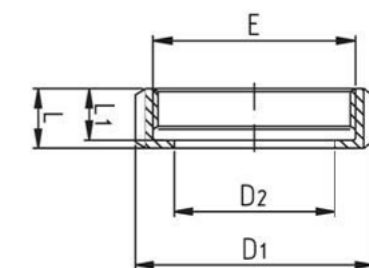
### PUNTSTUK DIN 11864/1 11866 C | LINER DIN 11864/1 11866 C

NW	D1	D2	D3	L	E
3/4"	15,75	19,05	27,9	39	27
1"	22,1	25,4	42,9	40	26
1,5"	34,8	38,1	54,9	46,5	30
2"	47,5	50,8	66,9	47,5	30
2,5"	60,2	63,5	84,9	63	40
3"	72,9	76,2	98,9	61	40
4"	97,38	101,6	118,9	65	40



### WARTELMOER DIN 11851 | NUT DIN11851

NW	D1	D2	L	L1	E
3/4"	44	25	18	15	Rd 34 x 1/8"
1"	63	36	21	18	Rd 52 x 1/6"
1,5"	78	49	21	18	Rd 65 x 1/6"
2"	92	62	22	19	Rd 78 x 1/6"
2,5"	112	80	25	21	Rd 95 x 1/6"
3"	127	94	29	25	Rd 110 x 1/4"
4"	148	115	31	26	Rd 130 x 1/4"

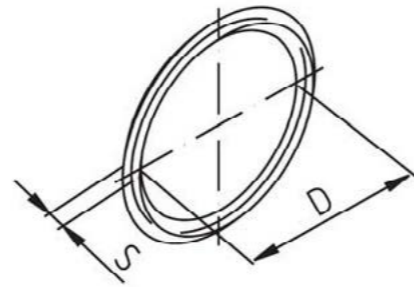


# RVS ZUIVELKOPPELING

## STAINLESS STEEL DAIRY FITTING

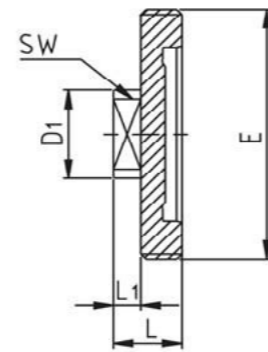
### O-RING DIN 11864/1 11866 C | O-RING DIN 11864/1 DIN 11866 C

NW	D	S
1/2"	12	3,5
3/4"	18	3,5
1"	24	3,5
1,5"	37	5
2"	50	5
2,5"	62	5
3"	75	5
4"	100	5



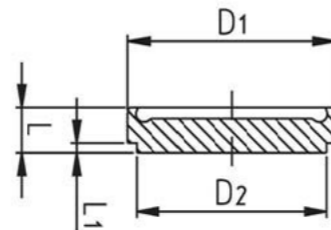
### BLINDDRAADSTUK DIN 11864/1 11866 C | MALE BLANK DIN 11864/1 11866 C

NW	D1	SW	L	L1	E
1/2"	34	27	22	10	Rd 28 x 1/8"
3/4"	34	27	22	10	Rd 34 x 1/8"
1"	34	27	24	10	Rd 52 x 1/6"
1,5"	34	27	24	10	Rd 65 x 1/6"
2"	34	27	24	10	Rd 78 x 1/6"
2,5"	34	27	26	10	Rd 95 x 1/6"
3"	34	27	30	10	Rd 110 x 1/4"
4"	34	27	30	10	Rd 130 x 1/4"



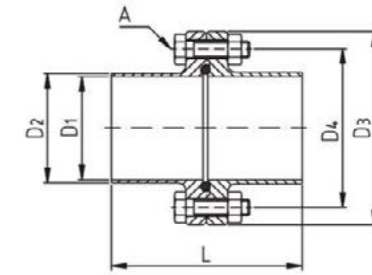
### BLINDPUNTSTUK DIN 11864/1 11866 C | LINER BLANK DIN 11864/1 11866 C

NW	D1	D2	L	L1
1/2"	21,9	18	9	3
3/4"	27,9	24	9	3
1"	42,9	35	12	3
1,5"	54,9	48	13	3
2"	66,9	61	14	3
2,5"	84,9	79	16	4
3"	98,9	93	16	4
4"	118,9	114	20	5



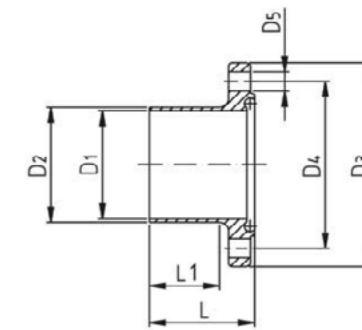
### FLENSVERBINDING DIN 11864/2 11866 C | FLANGE CONNECTION DIN 11864/2 11866 C

NW	D1	D2	D3	D4	L	L1
3/4"	15,75	19,05	59	42	80	4/M8 x 30
1"	22,1	25,4	66	49	80	4/M8 x 30
1,5"	34,8	38,1	79	62	90	4/M8 x 30
2"	47,5	50,8	92	75	90	4/M8 x 30
2,5"	60,2	63,5	107	89	108	8/M8 x 30
3"	72,9	76,2	125	104	112	8/M10 x 30
4"	97,38	101,6	157	135	116	8/M10 x 35



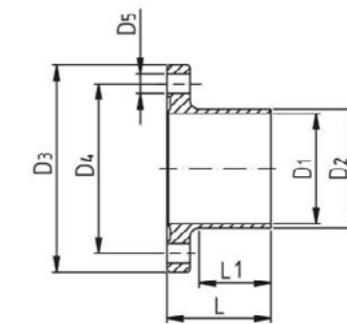
### NUTFLENS DIN 11864/2 11866 C | NUT FLANGE 11864/2 11866 C

NW	D1	D2	D3	D4	L	L1
3/4"	15,75	19,05	59	42	41,5	26
1"	22,1	25,4	66	49	41,5	26
1,5"	34,8	38,1	79	62	46,5	31
2"	47,5	50,8	92	75	46,5	31
2,5"	60,2	63,5	107	89	55,5	40
3"	72,9	76,2	125	104	57,5	40
4"	97,38	101,6	157	135	59,5	40



### BUNDFLENS DIN 11864/2 11866 C | LINER FLANGE 11864/2 11866 C

NW	D1	D2	D3	D4	L	L1
3/4"	15,75	19,05	59	42	40	26
1"	22,1	25,4	66	49	40	26
1,5"	34,8	38,1	79	62	45	31
2"	47,5	50,8	92	75	45	31
2,5"	60,2	63,5	107	89	54	40
3"	72,9	76,2	125	104	56	40
4"	97,38	101,6	157	135	58	40

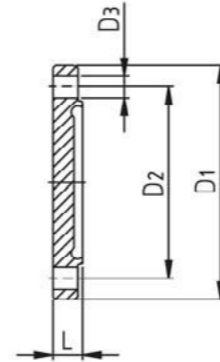


# RVS ZUIVELKOPPELING

## STAINLESS STEEL DAIRY FITTING

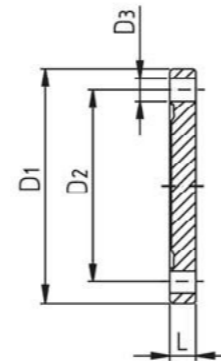
### O-RING DIN 11864/1 11866 C | O-RING DIN 11864/1 DIN 11866 C

NW	D1	D2	D3	L
1/2"	54	37	4x ø 9	11,5
3/4"	59	42	4x ø 9	11,5
1"	66	49	4x ø 9	11,5
1,5"	79	62	4x ø 9	11,5
2"	92	75	4x ø 9	11,5
2,5"	107	89	8x ø 9	11,5
3"	125	104	8x ø 11	13,5
4"	157	135	8x ø 11	15,5



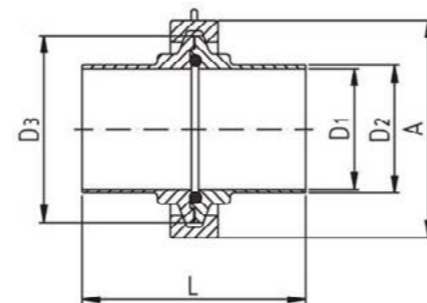
### BLINDBUNDFLENS DIN 11864/2 11866 CC | BLANK LINER FLANGE DIN 11864/2 11866 C

NW	D1	D2	D3	L
1/2"	54	37	4x ø 9	10
3/4"	59	42	4x ø 9	10
1"	66	49	4x ø 9	10
1,5"	79	62	4x ø 9	10
2"	92	75	4x ø 9	10
2,5"	107	89	8x ø 9	10
3"	125	104	8x ø 11	12
4"	157	135	8x ø 11	14



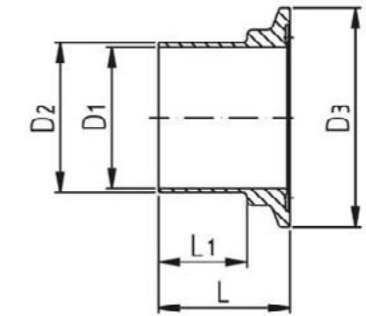
### KLEMVERBINDING DIN 11864/3 11866 C | CLAMP CONNECTION DIN 11864/3 11866 C

NW	D1	D2	D3	A	L
3/4"	15,75	19,05	34	45	76
1"	22,1	25,4	50,5	64	76
1,5"	34,8	38,1	64	77	77
2"	47,5	50,8	77,5	91	88
2,5"	60,2	63,5	91	104	88
3"	72,9	76,2	106	119	89
4"	97,38	101,6	130	143	113



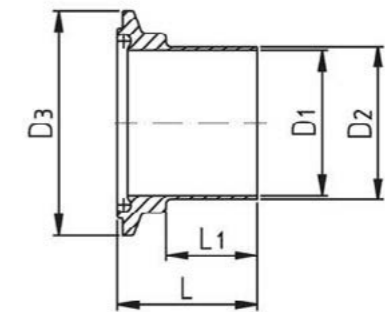
### BUNDFERRULE DIN 11864/3 11866 C | CLAMP LINER DIN 11864/3 11866 C

NW	D1	D2	D3	L	L1
3/4"	15,75	19,05	34	38	26
1"	22,1	25,4	50,5	38,5	28
1,5"	34,8	38,1	64	44	30
2"	47,5	50,8	77,5	44,5	30
2,5"	60,2	63,5	91	57,5	40
3"	72,9	76,2	106	58,5	40
4"	97,38	101,6	130	59,5	40



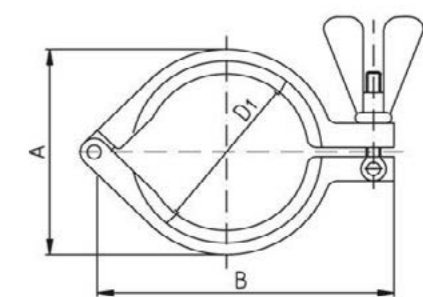
### NUTFERRULE DIN 11864/3 11866 C | CLAMP NUT DIN 11864/3 11866 C

NW	D1	D2	D3	D4	L	L1
3/4"	15,75	19,05	34	39,5	26	26
1"	22,1	25,4	50,5	40	28	26
1,5"	34,8	38,1	64	45,5	30	31
2"	47,5	50,8	77,5	46	30	31
2,5"	60,2	63,5	91	59	40	40
3"	72,9	76,2	106	60	40	40
4"	97,38	101,6	130	61	40	40



### CLAMPBEUGEL 2 DELIG ZWAAR | HEAVY DUTY CLAMP

NW	A	B	D1
3/4"	45	63	34
1"	64	88	50,5
1,5"	77	105	64
2"	91	123	77,5
2,5"	104	137	91
3"	119	155	106
4"	143	178	130

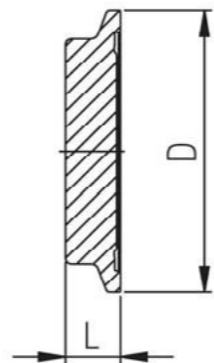


# RVS ZUIVELKOPPELING

## STAINLESS STEEL DAIRY FITTING

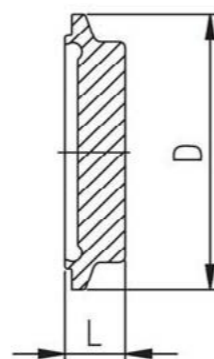
### BLINDBUNDFERULE DIN 11864/3 11866 C | BLIND CAP DIN 11864/3 11866 C

NW	D	L
1/2"	34	8
3/4"	34	8
1"	50,5	8
1,5"	64	8
2"	77,5	8
2,5"	91	8
3"	106	8
4"	130	8



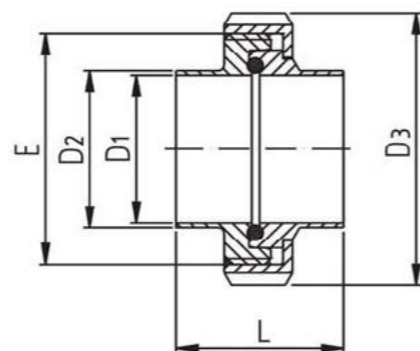
### BLINDNUTFERRULE DIN 11864/3 11866 C | BLIND CLAMP DIN 11864/3 11866 C

NW	D	L
1/2"	34	10
3/4"	34	10
1"	50,5	10
1,5"	64	10
2"	77,5	10
2,5"	91	10
3"	106	10
4"	130	10



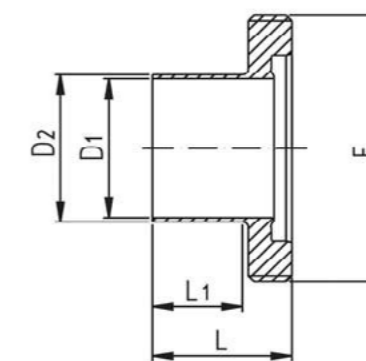
### KOPPELING DIN 11864/1 11866 B | UNION DIN 11864/1 11866 B

NW	D1	D2	D3	L	E
10	14,0	17,2	44	76	Rd 34 x 1/8"
15	18,1	21,3	54	78	Rd 44 x 1/6"
20	23,7	26,9	63	78	Rd 52 x 1/6"
25	29,7	33,7	70	88	Rd 58 x 1/6"
32	38,4	42,4	78	88	Rd 65 x 1/6"
40	44,3	48,3	92	90	Rd 78 x 1/6"
50	56,3	60,3	112	114	Rd 95 x 1/6"
65	72,1	76,1	127	117	Rd 110 x 1/4"
80	84,3	88,9	148	122	Rd 130 x 1/4"



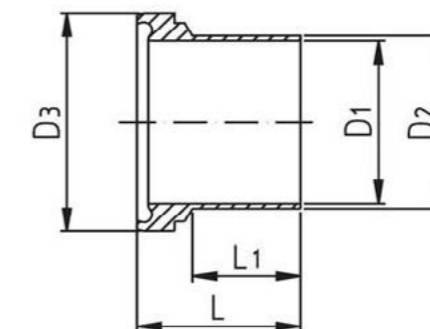
### DRAADSTUK DIN 11864/1 11866 B | MALE DIN 11864/1 11866 B

NW	D1	D2	D3	L	E
10	14,0	17,2	41	27	Rd 34 x 1/8"
15	18,1	21,3	43	27	Rd 44 x 1/6"
20	23,7	26,9	43	27	Rd 52 x 1/6"
25	29,7	33,7	48	32	Rd 58 x 1/6"
32	38,4	42,4	48	32	Rd 65 x 1/6"
40	44,3	48,3	49	31	Rd 78 x 1/6"
50	56,3	60,3	60	40	Rd 95 x 1/6"
65	72,1	76,1	64	40	Rd 110 x 1/4"
80	84,3	88,9	64	40	Rd 130 x 1/4"



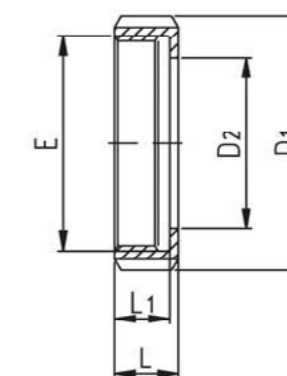
### PUNTSTUK DIN 11864/1 11866 B | LINER DIN 11864/1 11866 B

NW	D1	D2	D3	L	L1
10	14,0	17,2	27,9	39	27
15	18,1	21,3	35,9	40	27
20	23,7	26,9	42,9	41	27
25	29,7	33,7	48,9	47	32
32	38,4	42,4	54,9	47	32
40	44,3	48,3	66,9	48	31
50	56,3	60,3	84,9	62	40
65	72,1	76,1	98,9	61	40
80	84,3	88,9	118,9	68	40



### WARTELMOER DIN 11851 | NUT DIN 11851

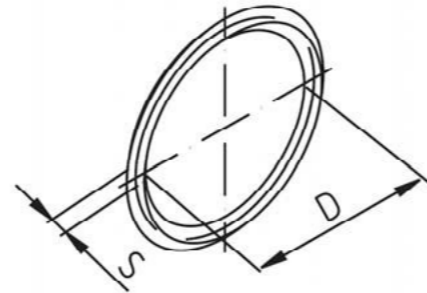
NW	D1	D2	L	L1	E
10	44	25	18	15	Rd 34 x 1/8"
15	54	31	20	17	Rd 44 x 1/6"
20	63	36	21	18	Rd 52 x 1/6"
25	70	42	21	18	Rd 58 x 1/6"
32	78	49	21	18	Rd 65 x 1/6"
40	92	62	22	19	Rd 78 x 1/6"
50	112	80	25	21	Rd 95 x 1/6"
65	127	94	29	25	Rd 110 x 1/4"
80	148	115	31	26	Rd 130 x 1/4"



# RVS ZUIVELKOPPELING STAINLESS STEEL DAIRY FITTING

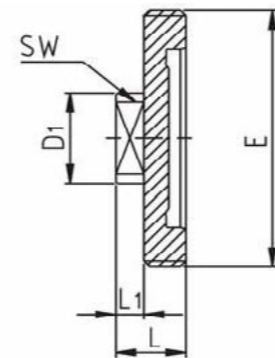
O-RING DIN 11864/1 11866 B | O-RING DIN 11864/1 11866 B

NW	D	S
8	12	3,5
10	16	3,5
15	20	3,5
20	26	3,5
25	32	5
32	40,5	5
40	46,5	5
50	58,5	5
65	73,5	5
80	86,5	5



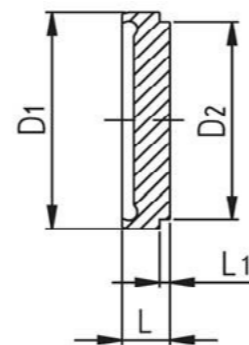
BLINDDRAADSTUK DIN 11864/1 11866 B | MALE BLANK DIN 11864/1 11866 B

NW	D1	SW	L	L1	E
8	25	22	22	10	Rd 28 x 1/8"
10	25	22	22	10	Rd 34 x 1/8"
15	25	22	24	10	Rd 44 x 1/6"
20	34	27	24	10	Rd 52 x 1/6"
25	34	27	24	10	Rd 58 x 1/6"
32	34	27	24	10	Rd 65 x 1/6"
40	34	27	24	10	Rd 78 x 1/6"
50	34	27	26	10	Rd 95 x 1/6"
65	34	27	30	10	Rd 110 x 1/4"
80	34	27	30	10	Rd 130 x 1/4"



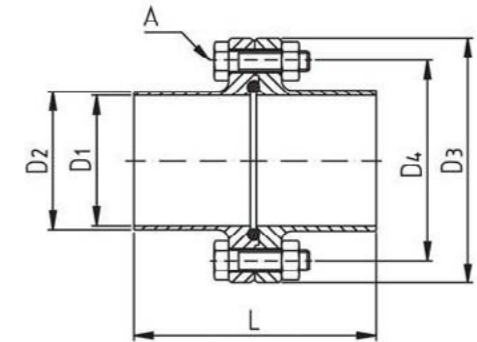
BLINDPUNTSTUK DIN 11864/1 11866 B | LINER BLANK DIN 11864/1 11866 B

NW	D1	D2	L	L1
8	21,9	18	10	3
10	27,9	24	10	3
15	35,9	30	10	3
20	42,9	35	12	3
25	48,9	41	13	3
32	54,9	48	13	3
40	66,9	61	14	3
50	84,9	79	16	4
65	98,9	93	16	4
80	118,9	114	20	5



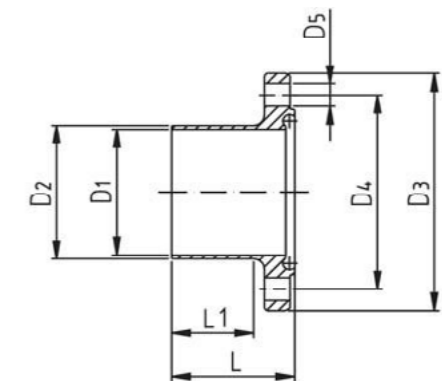
FLENSVERBINDING DIN 11864/2 11866 B | FLANGE CONNECTION DIN 11864/2 11866 B

NW	D1	D2	D3	D4	L	A
10	14,0	17,2	59	42	80	4/M8 x 30
15	18,1	21,3	62	45	80	4/M8 x 30
20	23,7	26,9	69	52	80	4/M8 x 30
25	29,7	33,7	74	57	90	4/M8 x 30
32	38,4	42,4	82	65	90	4/M8 x 30
40	44,3	48,3	88	71	90	4/M8 x 30
50	56,3	60,3	103	85	108	4/M8 x 30
65	72,1	76,1	125	104	112	8/M10 x 30
80	84,3	88,9	137	116	116	8/M10 x 35



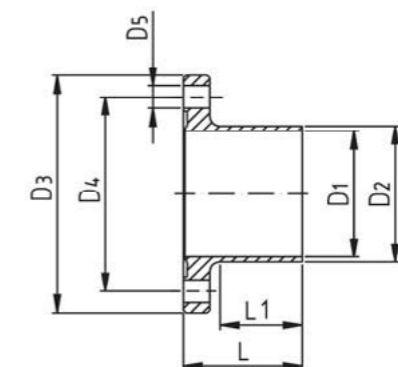
NUTFLENS DIN 11864/2 11866 B | NUT FLANGE DIN 11864/2 11866 B

NW	D1	D2	D3	D4	L	L1
10	14,0	17,2	59	42	41,5	26
15	18,1	21,3	62	45	41,5	26
20	23,7	26,9	69	52	41,5	26
25	29,7	33,7	74	57	46,5	31
32	38,4	42,4	82	65	46,5	31
40	44,3	48,3	88	71	46,5	31
50	56,3	60,3	103	85	55,5	40
65	72,1	76,1	125	104	57,5	40
80	84,3	88,9	137	116	59,5	42



BUNDFERRULE DIN 11864/2 11866 B | CLAMP LINER DIN 11864/2 11866 B

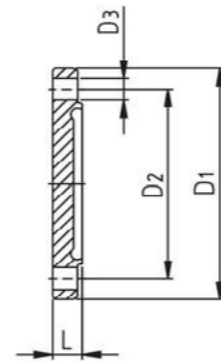
NW	D1	D2	D3	D4	L	L1
10	14,0	17,2	59	42	40	26
15	18,1	21,3	62	45	40	26
20	23,7	26,9	69	52	40	26
25	29,7	33,7	74	57	45	31
32	38,4	42,4	82	65	45	31
40	44,3	48,3	88	71	45	31
50	56,3	60,3	103	85	54	40
65	72,1	76,1	125	104	56	40
80	84,3	88,9	137	116	58	42



# RVS ZUIVELKOPPELING STAINLESS STEEL DAIRY FITTING

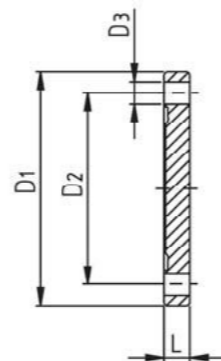
## BLINDNUTFLENS DIN 11864/2 11866 B | BLANK NUT FLANGE DIN 11864/2 11866 B

NW	D1	D2	D3	L
8	54	37	4x ø 9	11,5
10	59	42	4x ø 9	11,5
15	62	45	4x ø 9	11,5
20	69	52	4x ø 9	11,5
25	74	57	4x ø 9	11,5
32	82	65	4x ø 9	11,5
40	88	71	4x ø 9	11,5
50	103	85	4x ø 9	11,5
65	125	104	8x ø 11	13,5
80	137	116	8x ø 11	13,5



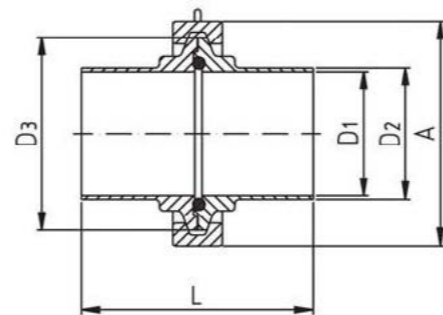
## BLINDBUNDFLENS DIN 11864/2 11866 B | BLANK LINER FLANGE DIN 11864/2 11866 B

NW	D1	D2	D3	L
8	54	37	4x ø 9	10
10	59	42	4x ø 9	10
15	62	45	4x ø 9	10
20	69	52	4x ø 9	10
25	74	57	4x ø 9	10
32	82	65	4x ø 9	10
40	88	71	4x ø 9	10
50	103	85	4x ø 9	10
65	125	104	8x ø 11	12
80	137	116	8x ø 11	12



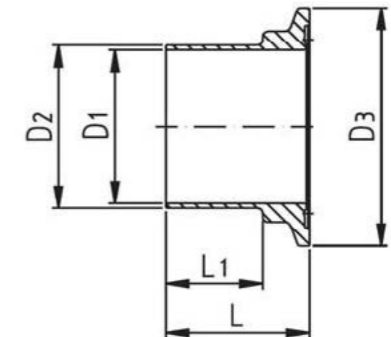
## KLEMVERBINDING DIN 11864/3 11866 B | CLAMP CONNECTION DIN 11864/3 11866 B

NW	D1	D2	D3	A	L
10	14,0	17,2	34	45	76
15	18,1	21,3	34	45	78
20	23,7	26,9	50,5	64	78
25	29,7	33,7	50,5	64	88
32	38,4	42,4	64	77	88
40	44,3	48,3	64	77	90
50	56,3	60,3	91	104	114
65	72,1	76,1	106	119	117
80	84,3	88,9	119	132	122



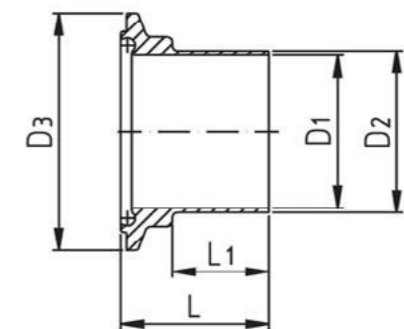
## BUNDFERRULE DIN 11864/3 11866 B | CLAMP LINER DIN 11864/3 11866 B

NW	D1	D2	D3	A	L
10	14,0	17,2	34	38	26
15	18,1	21,3	34	38	26
20	23,7	26,9	50,5	38	26
25	29,7	33,7	50,5	38,5	28
32	38,4	42,4	64	44	30
40	44,3	48,3	64	44	30
50	56,3	60,3	91	44,5	30
65	72,1	76,1	106	56,5	40
80	84,3	88,9	119	58,5	40



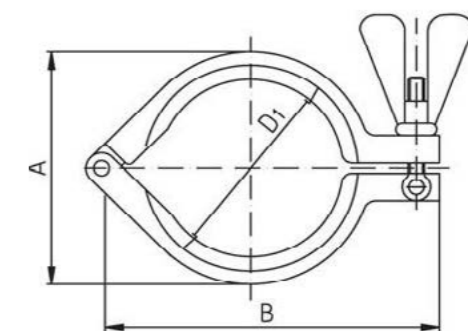
## NUTFERRULE DIN 11864/3 11866 B | CLAMP NUT DIN 11864/3 11866 B

NW	D1	D2	D3	A	L
10	14,0	17,2	34	39,5	26
15	18,1	21,3	34	40,5	26
20	23,7	26,9	50,5	40	26
25	29,7	33,7	50,5	45,5	28
32	38,4	42,4	64	45,5	30
40	44,3	48,3	64	46,5	30
50	56,3	60,3	91	58,5	30
65	72,1	76,1	106	60	40
80	84,3	88,9	119	62,5	40



## CLAMPBEUGEL 2 DELIG ZWAAR | HEAVY DUTY CLAMP

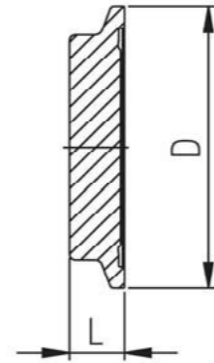
NW	A	B	D1
10	45	63	34
15	45	63	34
20	64	88	50,5
25	64	88	50,5
32	77	105	64
40	77	105	64
50	104	137	91
65	119	155	106
80	132	168	119



# RVS ZUIVELKOPPELING STAINLESS STEEL DAIRY FITTING

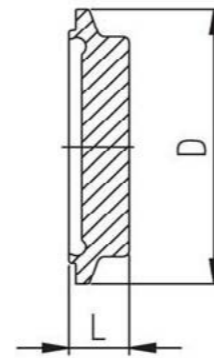
## BLINDBUNDFERULE DIN 11864/3 11866 B | BLIND CAP DIN 11864/3 11866 B

NW	D	L
8	34	8
10	34	8
15	34	8
20	50,5	8
25	50,5	8
32	64	8
40	64	8
50	91	8
65	106	8
80	119	8



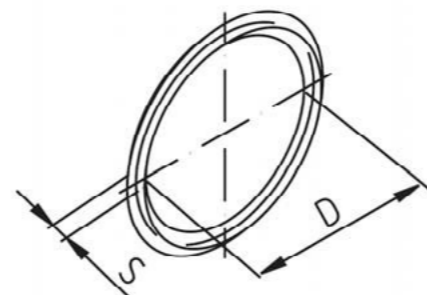
## BLINDNUTFERRULE DIN 11864/3 11866 B | BLIND CLAMP DIN 11864/3 11866 B

NW	D	L
8	34	10
10	34	10
15	34	10
20	50,5	10
25	50,5	10
32	64	10
40	64	10
50	91	10
65	106	10
80	119	10



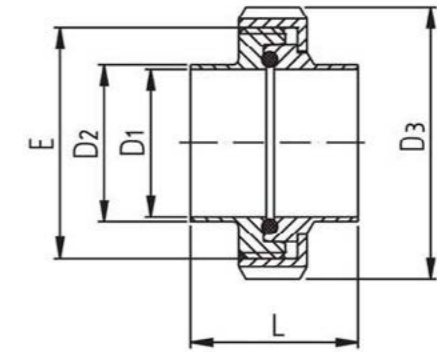
## O-RING DIN 11864/1 11866 B | O-RING DIN 11864/1 11866 B

NW	D	L
8	12	3,5
10	16	3,5
15	20	3,5
20	26	3,5
25	32	5
32	40,5	5
40	46,5	5
50	58,5	5
65	73,5	5
80	86,5	5



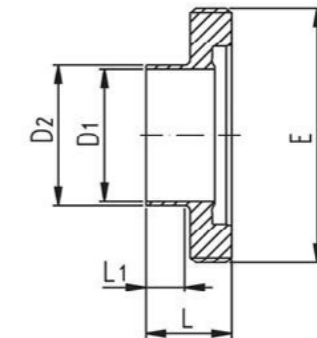
## KOPPELING DIN 11853/1 11850 (2) | UNION DIN 11853/1 11850 (2)

NW	D1	D2	D3	L	E
15	16	19	44	32	Rd 34 x 1/8"
20	20	23	54	34	Rd 44 x 1/6"
25	26	29	63	42	Rd 52 x 1/6"
32	32	35	70	48	Rd 58 x 1/6"
40	38	41	78	50	Rd 65 x 1/6"
50	50	53	92	54	Rd 78 x 1/6"
65	66	70	112	62	Rd 95 x 1/6"
80	81	85	127	72	Rd 110 x 1/4"
100	100	104	148	86	Rd 130 x 1/4"



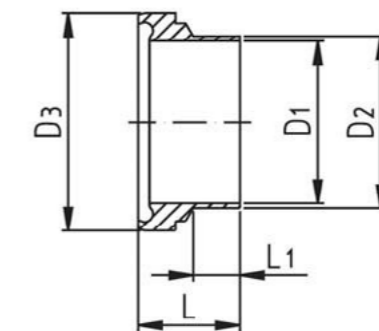
## DRAADSTUK DIN 11853/1 11850 (2) | MALE DIN 11853/1 11850 (2)

NW	D1	D2	L	L1	E
15	16	19	19	5	Rd 34 x 1/8"
20	20	23	21	5	Rd 44 x 1/6"
25	26	29	26	10	Rd 52 x 1/6"
32	32	35	30	14	Rd 58 x 1/6"
40	38	41	31	15	Rd 65 x 1/6"
50	50	53	31	15	Rd 78 x 1/6"
65	66	70	36	16	Rd 95 x 1/6"
80	81	85	42	18	Rd 110 x 1/4"
100	100	104	50	26	Rd 130 x 1/4"



## PUNTSTUK DIN 11853/1 11850 (2) | LINER DIN 11853/1 11850 (2)

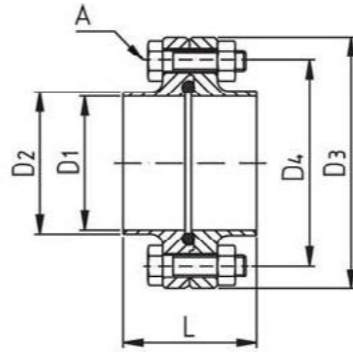
NW	D1	D2	D3	L	L1
15	16	19	27,9	17	5
20	20	23	35,9	18	5
25	26	29	42,9	22	8
32	32	35	48,9	25	10
40	38	41	54,9	26	10
50	50	53	66,9	30	13
65	66	70	84,9	34	15
80	81	85	98,9	38	15
100	100	104	118,9	46	23



# RVS ZUIVELKOPPELING STAINLESS STEEL DAIRY FITTING

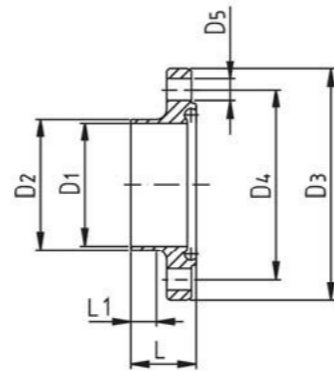
## FLENSVERBINDING DIN 11864/2 11866 C | FLANGE CONNECTION DIN 11864/2 11866 C

NW	D1	D2	D3	D4	L	A
10	10	13	54	37	48	4/M8 x 30
15	16	19	59	42	48	4/M8 x 30
20	20	23	64	47	48	4/M8 x 30
25	26	29	70	53	48	4/M8 x 30
32	32	35	76	59	48	4/M8 x 30
40	38	41	82	65	48	4/M8 x 30
50	50	53	94	77	48	4/M8 x 30
65	66	70	113	95	48	8/M8 x 30
80	81	85	133	112	52	8/M10 x 35
100	100	104	159	137	52	8/M10 x 40
125	125	129	183	161	56	8/M10 x 40
150	150	154	213	188	56	8/M12 x 50



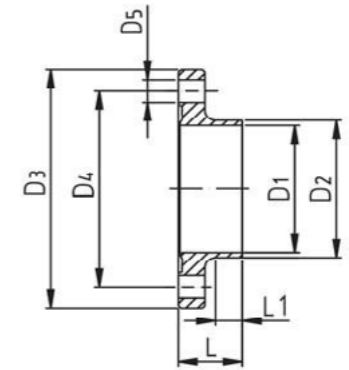
## NUTFLENS DIN 11853/2 11850 (2) | NUT FLANGE DIN 11853/2 11850 (2)

NW	D1	D2	D3	D4	L	A
10	10	13	54	37	25,5	10
15	16	19	59	42	25,5	10
20	20	23	64	47	25,5	10
25	26	29	70	53	25,5	10
32	32	35	76	59	25,5	10
40	38	41	82	65	25,5	10
50	50	53	94	77	25,5	10
65	66	70	113	95	25,5	10
80	81	85	133	112	27,5	10
100	100	104	159	137	27,5	10
125	125	129	183	161	29,5	10
150	150	154	213	188	29,5	8



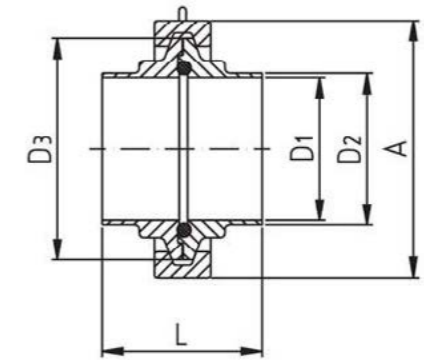
## BUNDFLENS DIN 11853/2 11850 (2) | LINER FLANGE DIN 11853/2 11850 (2)

NW	D1	D2	D3	D4	L	A
10	10	13	54	37	24	10
15	16	19	59	42	24	10
20	20	23	64	47	24	10
25	26	29	70	53	24	10
32	32	35	76	59	24	10
40	38	41	82	65	24	10
50	50	53	94	77	24	10
65	66	70	113	95	24	10
80	81	85	133	112	36	10
100	100	104	159	137	26	10
125	125	129	183	161	28	10
150	150	154	213	188	28	8



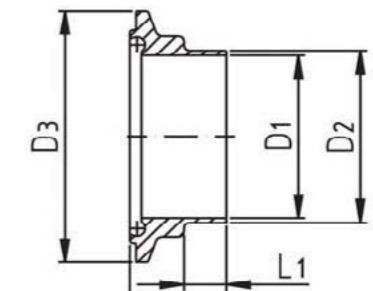
## KLEMVERBINDING DIN 11853/3 11850 (2) | CLAMP CONNECTION DIN 11853/3 11850 (2)

NW	D1	D2	D3	A	L
15	16	19	34	45	45
20	20	23	50,5	64	64
25	26	29	50,5	64	64
32	32	35	50,5	64	64
40	38	41	64	77	77
50	50	53	77,5	91	91
65	66	70	91	104	104
80	81	85	106	119	119
100	100	104	130	143	132



## NUTFERRULE DIN 11853/3 11850 (2) | CLAMP NUT DIN 11853/3 11850 (2)

NW	D1	D2	D3	L	L1
15	16	19	34	18,5	5
20	20	23	50,5	18,5	5
25	26	29	50,5	20	8
32	32	35	50,5	25,5	10
40	38	41	64	25,5	10
50	50	53	77,5	29	13
65	66	70	91	33	15
80	81	85	106	35	15
100	100	104	130	44,5	23

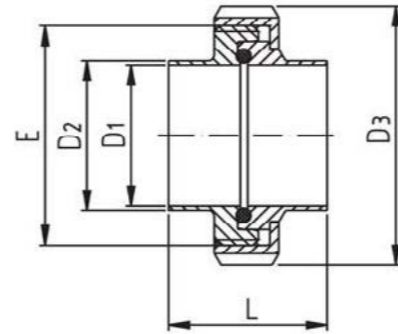


# RVS ZUIVELKOPPELING

## STAINLESS STEEL DAIRY FITTING

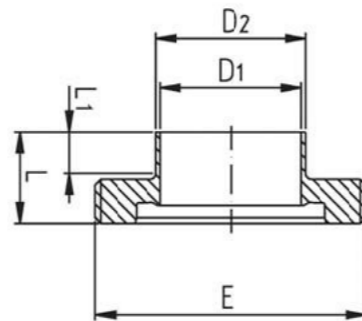
### KOPPELING DIN 11853/1 ISO 2037 | UNION DIN 11853/1 ISO 2037

NW	D1	D2	D3	L	E
1/2"	9,4	12,7	38	40	Rd 28 x 1/8"
3/4"	15,75	19,05	44	40	Rd 34 x 1/8"
1"	22,1	25,4	63	42	Rd 52 x 1/6"
1,5"	34,8	38,1	78	50	Rd 65 x 1/6"
2"	47,5	50,8	92	54	Rd 78 x 1/6"
2,5"	60,2	63,5	112	62	Rd 95 x 1/6"
3"	72,9	76,2	127	72	Rd 110 x 1/4"
4"	97,38	101,6	148	86	Rd 130 x 1/4"



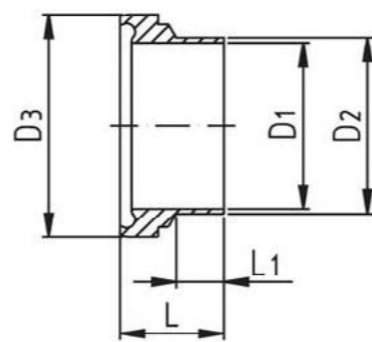
### DRAADSTUK DIN 11853/1 ISO 2037 | MALE DIN 11853/1 ISO 2037

NW	D1	D2	L	L1	LE
1/2"	9,4	12,7	23	9	Rd 28 x 1/8"
3/4"	15,75	19,05	23	9	Rd 34 x 1/8"
1"	22,1	25,4	26	10	Rd 52 x 1/6"
1,5"	34,8	38,1	31	15	Rd 65 x 1/6"
2"	47,5	50,8	31	15	Rd 78 x 1/6"
2,5"	60,2	63,5	36	18	Rd 95 x 1/6"
3"	72,9	76,2	42	18	Rd 110 x 1/4"
4"	97,38	101,6	50	26	Rd 130 x 1/4"



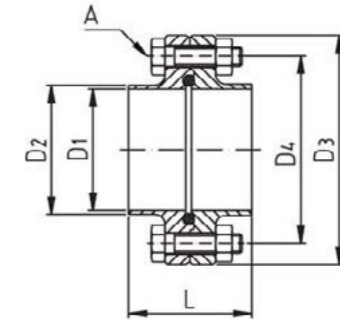
### PUNTSTUK DIN 11853/1 ISO 2037 | LINER DIN 11853/1 ISO 2037

NW	D1	D2	D3	L	L1
1/2"	9,4	12,7	21,9	21	9
3/4"	15,75	19,05	27,9	21	9
1"	22,1	25,4	42,9	22	8
1,5"	34,8	38,1	54,9	26	9,5
2"	47,5	50,8	66,9	30	12,5
2,5"	60,2	63,5	84,9	34	21
3"	72,9	76,2	98,9	38	17
4"	97,38	101,6	118,9	46	21



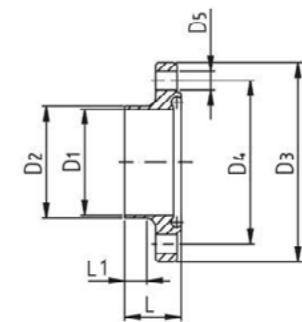
### FLENVERBINDING DIN 11853/2 ISO 2037 | FLANGE CONNECTION DIN 11853/2 ISO 2037

NW	D1	D2	D3	D4	L	A
3/4"	15,75	19,05	59	42	48	4/M8 x 30
1"	22,1	25,4	66	49	48	4/M8 x 30
1,5"	34,8	38,1	79	62	48	4/M8 x 30
2"	47,5	50,8	92	75	48	4/M8 x 30
2,5"	60,2	63,5	107	89	48	8/M8 x 30
3"	72,9	76,2	125	104	48	8/M10 x 30
4"	97,38	101,6	157	135	52	8/M10 x 35



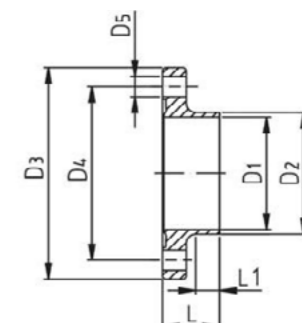
### NUTFLENS DIN 11853/2 ISO 2037 | NUT FLANGE DIN 11853/2 ISO 2037

NW	D1	D2	D3	D4	L	L1
3/4"	15,75	19,05	59	42	25,5	10
1"	22,1	25,4	66	49	25,5	10
1,5"	34,8	38,1	79	62	25,5	10
2"	47,5	50,8	92	75	25,5	10
2,5"	60,2	63,5	107	89	25,5	10
3"	72,9	76,2	125	104	25,5	8
4"	97,38	101,6	157	135	27,5	8



### BUNDFLENS DIN 11853/2 ISO 2037 | LINER FLANGE DIN 11853/2 ISO 2037

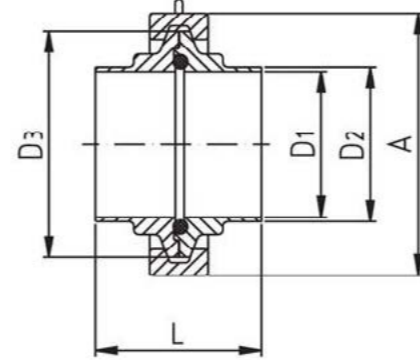
NW	D1	D2	D3	D4	L	L1
3/4"	15,75	19,05	59	42	24	10
1"	22,1	25,4	66	49	24	10
1,5"	34,8	38,1	79	62	24	10
2"	47,5	50,8	92	75	24	10
2,5"	60,2	63,5	107	89	24	10
3"	72,9	76,2	125	104	24	8
4"	97,38	101,6	157	135	26	8



# RVS ZUIVELKOPPELING STAINLESS STEEL DAIRY FITTING

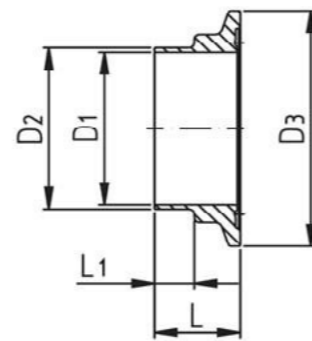
## KLEMVERBINDING DIN 11853/3 ISO 2037 | CLAMP CONNECTION DIN 11853/3 ISO 2037

NW	D1	D2	D3	A	L
1/2"	9,4	12,7	34	45	34
3/4"	15,75	19,05	34	45	34
1"	22,1	25,4	50,5	64	35
1,5"	34,8	38,1	64	77	48
2"	47,5	50,8	77,5	91	55
2,5"	60,2	63,5	91	104	61
3"	72,9	76,2	106	119	71
4"	97,38	101,6	130	143	83



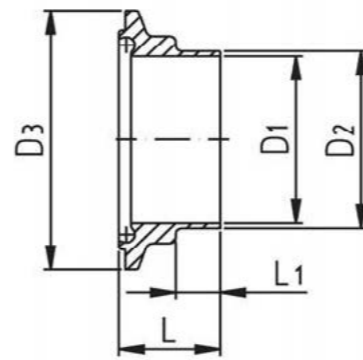
## BUNDFERRULE DIN 11853/3 ISO 2037 | CLAMP LINER DIN 11853/3 ISO 2037

NW	D1	D2	D3	L	L1
1/2"	9,4	12,7	34	17	5
3/4"	15,75	19,05	34	17	5
1"	22,1	25,4	50,5	17,5	7
1,5"	34,8	38,1	64	24	10
2"	47,5	50,8	77,5	27,5	13
2,5"	60,2	63,5	91	30,5	13
3"	72,9	76,2	106	35,5	17
4"	97,38	101,6	130	41,5	22



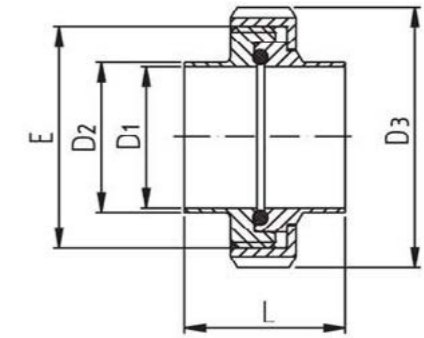
## NUTFERRULE DIN 11853/3 ISO 2037 | CLAMP NUT DIN 11853/3 ISO 2037

NW	D1	D2	D3	L	L1
1/2"	9,4	12,7	34	18,5	5
3/4"	15,75	19,05	34	18,5	5
1"	22,1	25,4	50,5	19	7
1,5"	34,8	38,1	64	25,5	10
2"	47,5	50,8	77,5	29	13
2,5"	60,2	63,5	91	32	13
3"	72,9	76,2	106	37	17
4"	97,38	101,6	130	43	22



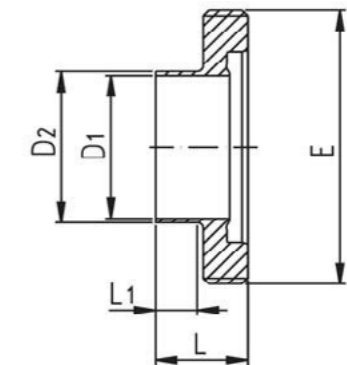
## KOPPELING DIN 11853/1 11866 (B) | UNION DIN 11853/1 11866 (B)

NW	D1	D2	D3	L	E
10	14,0	17,2	44	32	Rd 34 x 1/8"
15	18,1	21,3	54	34	Rd 44 x 1/6"
20	23,7	26,9	63	42	Rd 52 x 1/6"
25	29,7	33,7	70	48	Rd 58 x 1/6"
32	38,4	42,4	78	50	Rd 65 x 1/6"
40	44,3	48,3	92	50	Rd 78 x 1/6"
50	56,3	60,3	112	54	Rd 95 x 1/6"
65	72,1	76,1	127	72	Rd 110 x 1/4"
80	84,3	88,9	148	86	Rd 130 x 1/4"



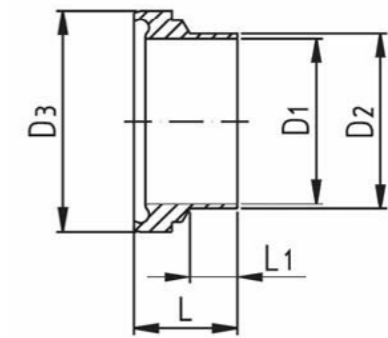
## DRAADSTUK DIN 11853/1 11866 (B) | MALE DIN 11853/1 11866 (B)

NW	D1	D2	L	L1
10	14,0	17,2	19	5
15	18,1	21,3	21	5
20	23,7	26,9	26	7
25	29,7	33,7	30	9
32	38,4	42,4	31	11
40	44,3	48,3	31	12
50	56,3	60,3	36	12
65	72,1	76,1	42	17
80	84,3	88,9	50	18



## BUNDFLENS DIN 11853/2 ISO 2037 | LINER FLANGE DIN 11853/2 ISO 2037

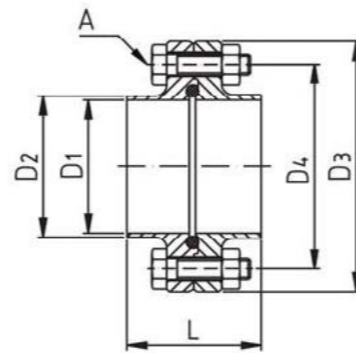
NW	D1	D2	D3	L	L1
10	14,0	17,2	27,9	17	5
15	18,1	21,3	35,9	18	5
20	23,7	26,9	42,9	22	7
25	29,7	33,7	48,9	25	9
32	38,4	42,4	54,9	25	11
40	44,3	48,3	66,9	30	12
50	56,3	60,3	84,9	34	12
65	72,1	76,1	98,9	38	17
80	84,3	88,9	118,9	46	18



# RVS ZUIVELKOPPELING STAINLESS STEEL DAIRY FITTING

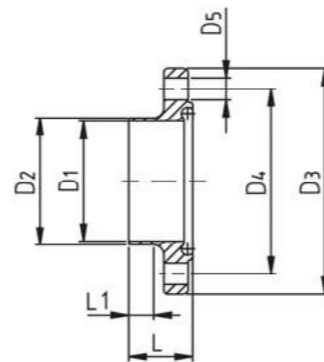
## FLENVERBINDING DIN 11853/2 11866 (B) | FLANGE CONNECTION DIN 11853/2 11866 (B)

NW	D1	D2	D3	D4	L	A
8	10,3	13,5	54	37	48	4/M8 x 30
10	14,0	17,2	59	42	48	4/M8 x 30
15	18,1	21,3	62	45	48	4/M8 x 30
20	23,7	26,9	69	52	48	4/M8 x 30
25	29,7	33,7	74	57	48	4/M8 x 30
32	38,4	42,4	82	65	48	4/M8 x 30
40	44,3	48,3	88	71	48	4/M8 x 30
50	56,3	60,3	103	85	48	4/M8 x 30
65	72,1	76,1	125	104	52	8/M10 x 30
80	84,3	88,9	137	116	52	8/M10 x 35



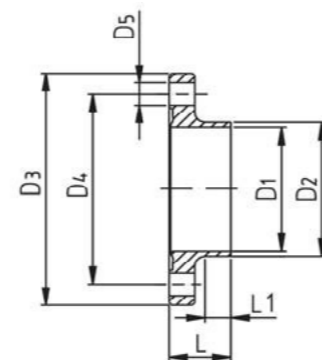
## NUTFLENS DIN 11853/2 11866 (B) | NUT FLANGE DIN 11853/2 11866 (B)

NW	D1	D2	D3	D4	L	L1
8	10,3	13,5	54	37	25,5	10
10	14,0	17,2	59	42	25,5	10
15	18,1	21,3	62	45	25,5	10
20	23,7	26,9	69	52	25,5	10
25	29,7	33,7	74	57	25,5	10
32	38,4	42,4	82	65	25,5	10
40	44,3	48,3	88	71	25,5	10
50	56,3	60,3	103	85	25,5	8
65	72,1	76,1	125	104	27,5	10
80	84,3	88,9	137	116	27,5	8



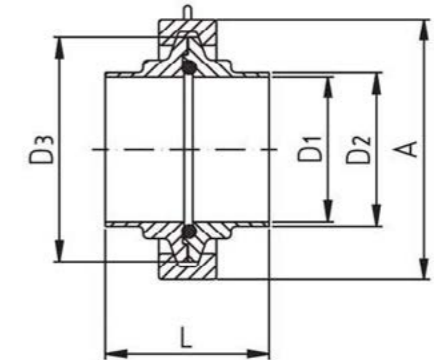
## BUNDFERRULE DIN 11853/2 11866 (B) | CLAMP LINER DIN 11853/2 11866 (B)

NW	D1	D2	D3	D4	L	L1
8	10,3	13,5	54	37	24	10
10	14,0	17,2	59	42	24	10
15	18,1	21,3	62	45	24	10
20	23,7	26,9	69	52	24	10
25	29,7	33,7	74	57	24	10
32	38,4	42,4	82	65	24	10
40	44,3	48,3	88	71	24	10
50	56,3	60,3	103	85	24	8
65	72,1	76,1	125	104	26	10
80	84,3	88,9	137	116	26	8



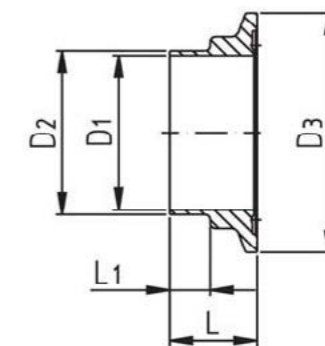
## KLEMVERBINDING DIN 11853/3 11866 (B) | CLAMP CONNECTION DIN 11853/3 11866 (B)

NW	D1	D2	D3	A	L
10	14,0	17,2	34	45	34
15	18,1	21,3	34	45	36
20	23,7	26,9	50,5	64	31,5
25	29,7	33,7	50,5	64	46
32	38,4	42,4	64	77	50
40	44,3	48,3	64	77	54
50	56,3	60,3	91	104	58
65	72,1	76,1	106	119	71
80	84,3	88,9	119	132	78



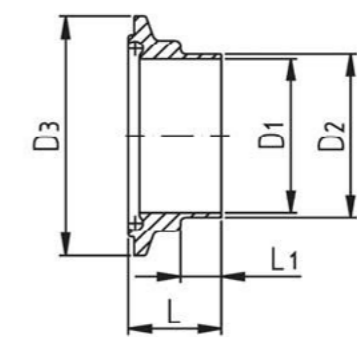
## BUNDFERRULE DIN 11853/3 11866 (B) | CLAMP LINER DIN 11853/3 11866 (B)

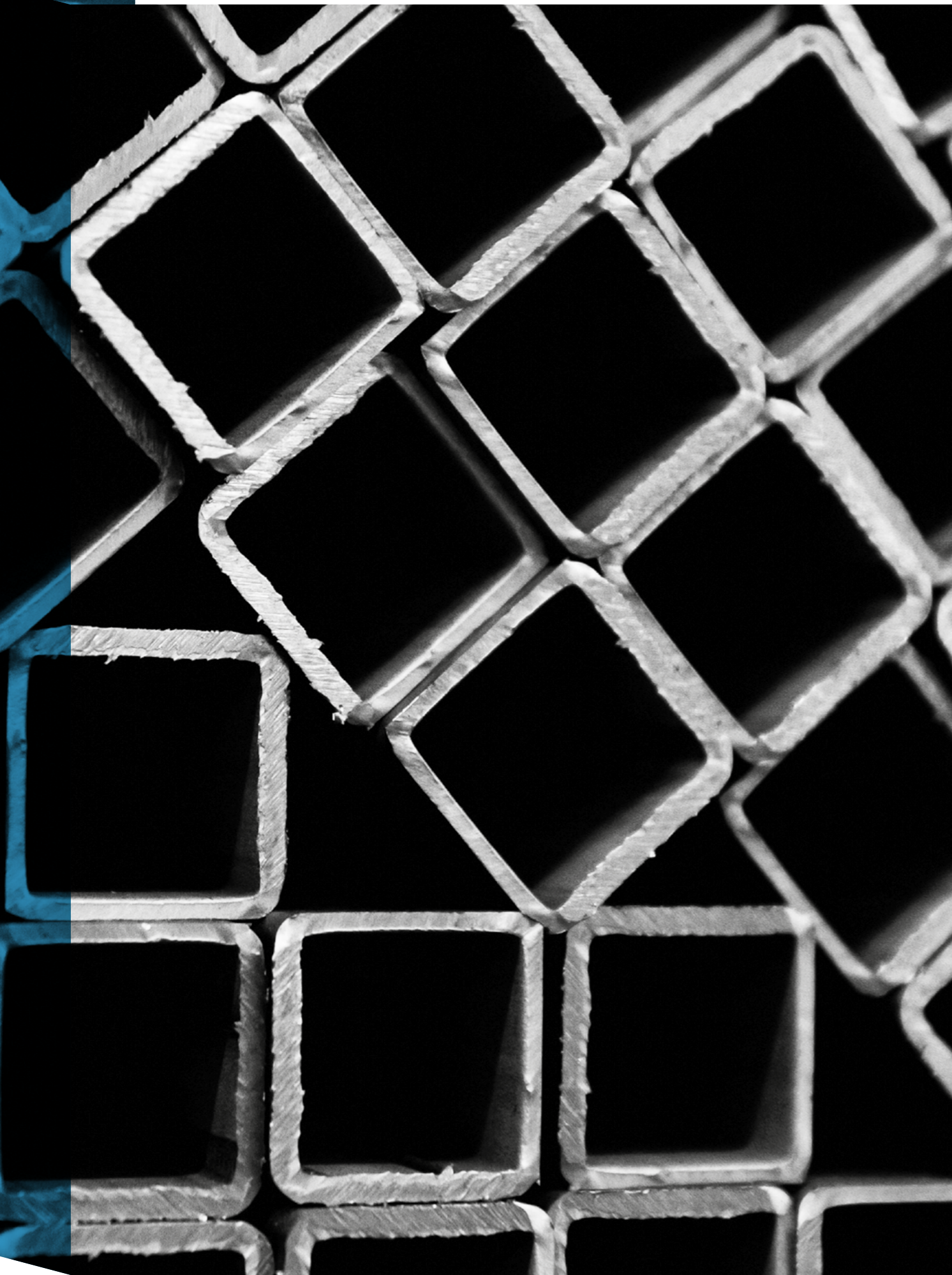
NW	D1	D2	D3	L	L1
10	14,0	17,2	34	17	5
15	18,1	21,3	34	18	5
20	23,7	26,9	50,5	16	7
25	29,7	33,7	50,5	23	9
32	38,4	42,4	64	25	11
40	44,3	48,3	64	27	12
50	56,3	60,3	91	29	12
65	72,1	76,1	106	35,5	17
80	84,3	88,9	119	39	18



## NUTFERRULE DIN 11853/3 11866 (B) | CLAMP NUT DIN 11853/3 11866 (B)

NW	D1	D2	D3	L	L1
10	14,0	17,2	34	18,5	5
15	18,1	21,3	34	19,5	5
20	23,7	26,9	50,5	17	7
25	29,7	33,7	50,5	24,5	9
32	38,4	42,4	64	26,5	11
40	44,3	48,3	64	28,5	12
50	56,3	60,3	91	30,5	12
65	72,1	76,1	106	37	17
80	84,3	88,9	119	40,5	18





# CONTACT

Benieuwd naar wat we voor jou kunnen betekenen? Onze medewerkers staan voor u klaar. Neem geheel vrijblijvend contact met ons op.



**Bel 0515 580 880**

Op werkdagen van 08:00 - 17:00



**Stuur een Whatsapp**

0515 580 880



**Stuur een E-mail**

info@nedinox.nl



**Nedinox B.V.**

De Marne 16-18 | 8701 PT | Bolsward





Nedinox B.V. | De marne 16 - 18 | 8701 PT Bolsward  
+31 515 580 880 | [info@nedinox.nl](mailto:info@nedinox.nl) | [nedinox.nl](http://nedinox.nl)